



INDEX

Accessories for the maintenance of doors -----	172
Spare parts for doors -----	175
Closing regulators for sliding front doors -----	185
Centralized closing of doors -----	186
Electromagnets for doors -----	188
Spare parts for smoke and heat alarm systems -----	192
Seals for fireguard doors -----	195
Spare parts for E.F.C. -----	196
Accessories for fireguard crossings -----	199



DOORS AND WINDOWS

DYNAMOMETER

CODE	PRICE
0423	€ 840,00



Certifications



Mechanical dynamometer for traction and compression tests with peak-hold function

Characteristics:

- Double reading scale: Newton and kg readable at the same time
- Rotating display to facilitate the adjustment of the Unit
- Peak-Hold function thanks to the sliding indicator
- Can be mounted on all manual test benches.
- Zeroing by pressing a single button
- Supplied with Sturdy case
- Standard composition: As shown in the photo, extension bar: 90 mm

Technical datas

- Precision: 1% of [Max]
- Dimensions LxWxH 232x60x51 mm
- Thread: M6
- Net weight approx. 0.6 kg
- Measuring range 500 N
- Division 2.5 N



ELECTRONIC DYNAMOMETER



CODE	PRICE
0423-1	€ 1.000,00



Certifications



Robust digital dynamometer for traction testing and simple compression

Characteristics:

- Automatic reversible display
- Easy to use, ergonomic body
- Peak-Hold function or Track function for a continuative indication of the measurement
- Selectable units: N, LB, kg, oz
- Auto-Power-OFF
- Standard composition: As in illustration, extension bar: 90 mm
- Can be combined with all manual test hooks

Technical datas:

- Precision: 0.5% of [Max]
- Measuring frequency: 1000 Hz
- Overload protection: 200% of [Max]
- Dimensions LxWxH 195x84x35 mm
- Thread: M8
- Net weight approx. 0.6 kg
- Measuring range 500 N
- Division 2.5 N



ACCESSORIES FOR THE MAINTAINANCE OF DOORS

Bag for door maintainer



With inscription: "Fire Maintenance"

CODE	PRODUCT	PRICE
8448	EMPTY BAG	€ 75,00
10856	BAG WITH:	€ 953,33
	1 - Door lift maximum Kg. maximum	
	1 - Suction cup	
	1 - Magnetic level cm. 40	
	1 - Flush lead	
	1 - Set of spatulas (2 Pz.)	

Suction cup



CODE	PRICE
10852	€ 507,00

Lift



CODE	PRICE
10851	€ 123,50

Flush lead



CODE	PRICE
10854	€ 21,67

Fireguard door labels



CUSTOMIZABLE

Magnetic level



Length 400 mm

CODE	PRICE
10853	€ 104,00

Set of spatulas



2 plastic Spatulas of various sizes for glass lifting

CODE	PRICE
10855	€ 130,87

Maintenance waistcoat

Sz.	CODES
	Navy
S	10026-1
M	10027-1
L	10028-1
XL	10029-1
XXL	10030-1
3XL	10031-1
4XL	10032-1
€	€ 62,62



DESCRIPTION:

2 large front pocket with Velcro, 4 pockets, side vents, badge pocket

Available in 3 other colours. See DPI section.
With inscription: "Fire Maintenance"

Periodic checks register



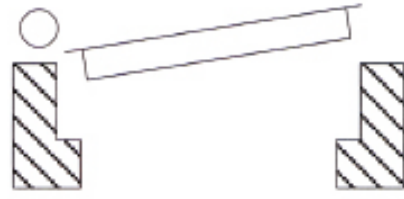
See pag. 133

DOOR OPENING DIRECTION 1 SHUTTER/2 SHUTTER

DOOR OPENING DIRECTIONS ALWAYS MEAN TO PUSH



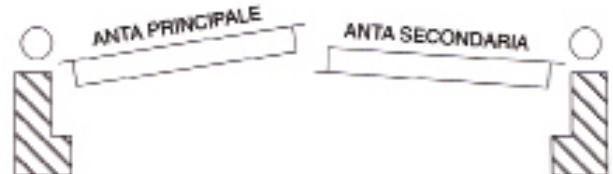
SHUTTER 1 DOOR opening direction DX PUSH



SHUTTER 1 DOOR opening direction SX PUSH



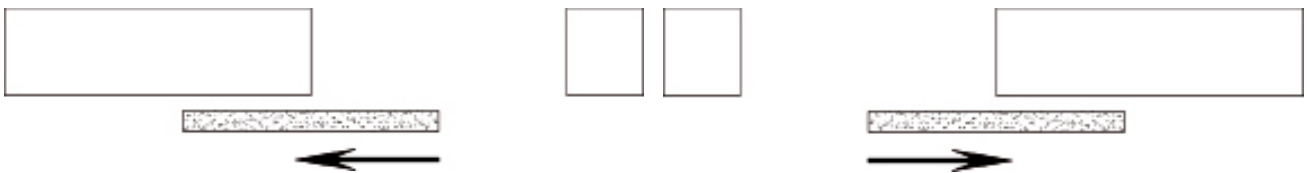
SHUTTER 2 DOOR opening direction DX PUSH



SHUTTER 2 DOOR opening direction SX PUSH

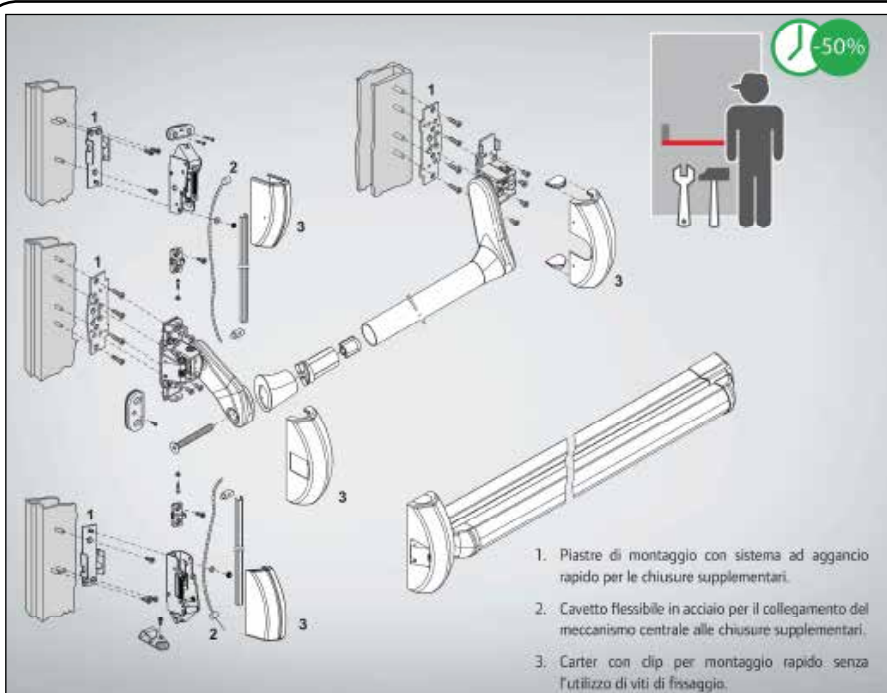
SILDING FRONT DOORS OPENING DIRECTION

STANDARD VERSION



SHUTTER 2 DOOR opening direction DX PUSH

SHUTTER 2 DOOR opening direction SX PUSH



1. Piastre di montaggio con sistema ad aggancio rapido per le chiusure supplementari.
2. Cavetto flessibile in acciaio per il collegamento del meccanismo centrale alle chiusure supplementari.
3. Carter con clip per montaggio rapido senza l'utilizzo di viti di fissaggio.



From 1 April 2003, the safety, panic and emergency exit devices must be marked CE.

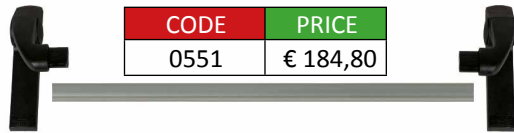
In fact, with the publication of the references of standards en 1125 and en 179, which occurred through the Official Journal of the European Communities C of 14 February 2002, no 40, it is established that the application of standard EN 1125 and en 179 will become mandatory from 1 April 2003.

These standards, drawn up by CEN with the mandate conferred by the European Commission, are harmonised standards which allow the marking of these products in accordance with Directive 89/106/EEC concerning construction Products (CPD).

SPARE PARTS FOR DOORS

ANTIPANIC HANDLEBARS FOR FIREGUARD DOORS

FOR PRIMARY SHUTTER



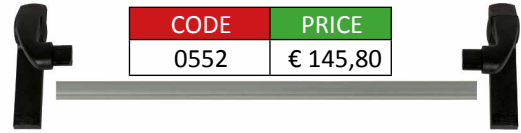
CODE	PRICE
0551	€ 184,80

Technical characteristics:
 -Black Nylon Carter
 -Galvanized steel components suitable for fire doors
 -Grey Color Bar

Supplied:
 -Fixing screws
 -Instructions
 -Certificates of CE Certification
 -Cylinder
 -Half Handle

Handlebar model TWIST (Ninz)

FOR SECONDARY SHUTTER



CODE	PRICE
0552	€ 145,80

Technical characteristics:
 -Black Nylon Carter
 -Galvanized steel components suitable for fire doors
 -Grey Color Bar

Supplied:
 -Fixing screws
 -Instructions
 -Certificates of CE Certification

Handlebars model TWIST (Ninz)

FOR PRIMARY SHUTTER



Technical characteristics:
 -Black Nylon Carter
 -Galvanized steel components suitable for fire doors
 -Grey Color Bar
 -Cover plate holes

Supplied:
 -Fixing screws
 -Instructions
 -Certificates of CE Certification
 -Cylinder
 -Half Handle

CODE	PRICE
9458	€ 214,67

Handlebar model SLASH (Ninz)

Technical characteristics:
 -Black Nylon Carter
 -Galvanized steel components suitable for fire doors
 -Grey Color Bar
 -Cover plate holes

Supplied:
 -Fixing screws
 -Instructions
 -Certificates of CE Certification
 -Cylinder
 -Half Handle

CODE	PRICE
9459	€ 191,33



FOR SECONDARY SHUTTER

Handlebar model SLASH (Ninz)

CODE	PRICE
0566	€ 23,80



Technical characteristics:
 -Black Nylon Plate

Supplied:
 -Key for handle
 -Square Walker
 -Fixing screws
 -Instructions

Completed handle N1 (NINZ)

CODE	PRICE
0567	€ 18,67

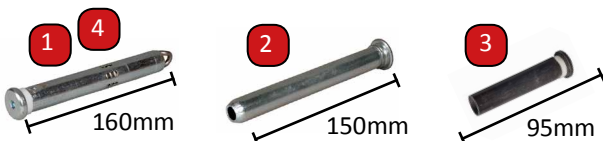


Technical characteristics:
 -Black Nylon Plate

Supplied:
 -Key for handle
 -Square Walker
 -Fixing screws
 -Instructions

Half handle

SPARE PARTS FOR DOORS AND RELATED ACCESSORIES



CODE		PRICE
0553	Pin with Padilla spring	€ 13,00
0554	Pin without Padilla spring	€ 9,50
1400	Pin without short spring Dierre	€ 17,67
10695	Pin with Ninz spring	€ 19,75

Pin for fire door EI2 / REI

CODE	PRICE
1399	€ 10,67
1399-1	€ 17,33



Stationary bush with plastic floor for secondary shutter for fire doors

CODE	Pack.	PRICE
0555	10	€ 26,67
0555-1	100	€ 233,33

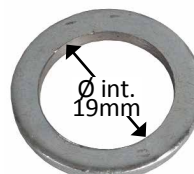


Stop latch for spring hinge



CODE	PRICE
0565	€ 10,50

Specify N. From 1 to 10
 Key Patent for doors EI2 / REI



CODE	Pack.	PRICE
1402	20	€ 51,33
1402-1	100	€ 198,33



Thickening washer for Spring pins with 2 mm thickness

MODEL	PRICE		CODE
Padilla	€ 78,00	1	1162
Meba	€ 58,33	2	1401
Locher	€ 60,67	3	1227
Dierre	€ 58,33	4	1194
Ninz	€ 102,67	5	1413

Counter lock for two shutters EI2/rei

Technical characteristics:
 -Frontal, box and latch in steel with zinc coating.
 -Ambiright hand.

		CODE	PRICE
Standard	1	0568	€ 25,33
Antipanic	2	0569	€ 48,00

Door locks EI2 /REI

CODE		PRICE
0556	Half cylinder	€ 18,68
0557	Half cylinder unique encryption	€ 43,70
0558	Half cylinder Master	€ 71,57

Half cylinder for doors EI2 /REI

CODE		PRICE
0559	Cylinder	€ 24,07
0560	Cylinder unique encryption	€ 58,90
0563	Cylinder master	€ 106,72

Cylinder of 74 mm or 84 mm for doors EI2 /REI

CODE		PRICE
0561	Cylinder with knob	€ 92,15
0562	Cylinder with knob unique encryption	€ 102,60
0564	Cylinder with knob master	€ 125,40

Cylinder with knob of 74 mm or 84 mm for doors EI2/REI

CODE	PRICE
1476	€ 30,00

Package of 10 pieces

Adjusting rod for pins with spring

CODE	PRICE
1463	€ 40,00

∅ est. 28mm

CODE	PRICE
1463-1	€ 160,00

Pack. 20 p Pack. 100 p

Half thickening washer for spring pins with 0.5 mm thickness

CODE	PRICE
5011	€ 85,33

Lower guide roller for sliding front doors with 1 shutter

CODE	PRICE
5010	€ 38,24

Shafts lock device

SPARE PARTS FOR DOORS

		CODE	PRICE
Padilla	1	0571	€ 84,58
Meba	2	1419	€ 65,97
Locher	3	1441	€ 94,97
Dierre	4	1442	€ 136,78
Dierre >1600	5	1443	€ 136,78
Ninz	6	1444	€ 94,97

Closing sequencer for two-shutter EI2/REI Doors

Safety electromagnets

	CODE	PRICE
70°	0579	€ 31,00
90°	5012	€ 58,00

Fuse for fire doors

CODE	PRICE
0533	€ 168,44

With counterplate and 3 screws. (X ante of maximum 1250 mm)

Air door clothe for fire doors from 40 to 100 Kg.

Version: to be applied

Dimensions: MM. 265 x 66 x 41
Counterplate with residual anti-magnetism pin: MM. 185 x 60 x 16

Power supply: 12/24 VDC

Electricity: 500 ma at 12 V/250 Ma at 24 V

Traction force: Up to 600 Kg.

Use: Closing system for door to shutter. Opened in lack of electricity.

CODE	PRICE
0574	€ 554,67

Safety electromagnets

Version: to be applied

Dimensions: MM. 265 x 66 x 41

Counterplate with residual anti-magnetism pin: MM. 185 x 37 x 12

Power supply: 12/24 VDC

Electricity: 500 ma A12 v/250 Ma at 24 V

Hall effect sensor/two-coloured red-green Led/relay C.-N.A.-N.C.

Internal reclosing timer adjustable by means of trimmer from 1 to 15 sec. (Version 13100TD only)

Traction force: Up to 600 Kg.

Use: Anti-panic safety closing system for door to shutter.

CODE	PRICE
5013	€ 689,00

ANTIPANIC HANDLEBARS FOR FIREGUARD DOORS EI2/REI

CODE	PRICE
1392	€ 210,30

Technical characteristics:

- Black painted aluminium Carter
- Galvanized steel components suitable for fire doors
- Red Bar

Supplied:

- Fixing screws
- Instructions
- Certificates of CE Certification



Excluded bar

FAST PUSH LINE

CODE	PRICE
1827	€ 191,96

Technical characteristics:

- Black painted aluminium Carter
- Galvanized steel components suitable for fire doors
- Red Bar

Supplied:

- Fixing screws
- Instructions
- Certificates of CE Certification



Excluded bar

OLD LINE

ANTIPANIC HANDLEBARS FOR NO FIREGUARD DOORS

CODICE	PREZZO
1242	€ 199,68

Technical characteristics:

- Black painted aluminium Carter
- Self-locking lateral latch in aluminium alloy Chromed with possibility of exclusion
- Red Bar

Supplied:

- Vents
- Fixing screws
- Instructions
- Certificates of CE Certification



PRIMARY SHUTTER (excluded bar)

FAST PUSH LINE

CODE	PRICE
1667	€ 152,13

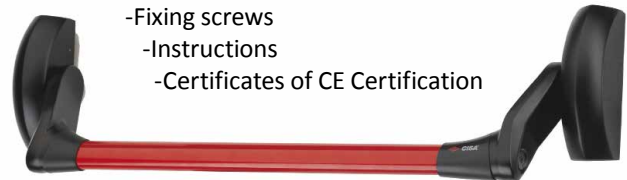
Technical characteristics:

- Black painted aluminium Carter
- Red Bar

Dotazione:

Supplied:

- Vents
- Fixing screws
- Instructions
- Certificates of CE Certification



SECONDARY SHUTTER (excluded bar)

ANTIPANIC HANDLEBARS FOR FIREGUARD DOORS EI2/REI

CODE	PRICE
1125	€ 293,27

Technical characteristics:

- Black painted aluminium Carter
- Red painted aluminium bar can be shortened to 300 mm.
- Red Bar

Supplied:

- Fixing screws
- Instructions - Certificates of CE Certification



PRIMARY SHUTTER

FAST TOUCH LINE

CODE	PRICE
1126	€ 331,91

Technical characteristics:

- Black painted aluminium Carter
- Red painted aluminium bar can be shortened to 300 mm.
- Red Bar

Supplied:

- Fixing screws
- Instructions - Certificates of CE Certification



SECONDARY SHUTTER

ANTIPANIC HANDLEBARS FOR NO FIREGUARD DOORS

CODE	PRICE
9179	€ 331,29

Technical characteristics:

- Black painted aluminium Carter
- Red painted aluminium bar can be shortened to 300 mm.
- Red Bar

Supplied:

- Fixing screws
- Instructions - Certificates of CE Certification



PRIMARY SHUTTER

FAST TOUCH LINE

CODE	PRICE
9180	€ 307,10

Technical characteristics:

- Black painted aluminium Carter
- Red painted aluminium bar can be shortened to 300 mm.
- Red Bar

Supplied:

- Fixing screws
- Instructions - Certificates of CE Certification



SECONDARY SHUTTER

Scrocchi for extensions closures for grab bars on non-fire doors



Caratteristiche Tecniche:

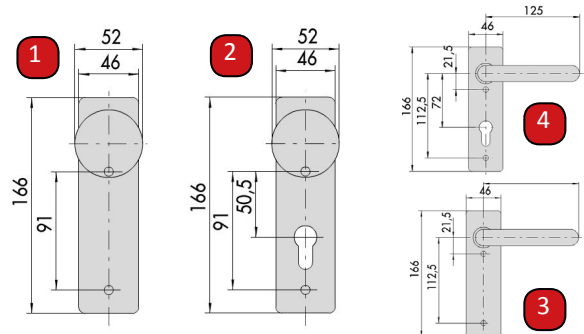
- Black painted aluminium Carter
- Scrocchi in polished chrome-plated aluminium alloy

Dotazione:

- Fixing screws
- Mounting templates
- Instructions

	CODE	PRICE
Pair of Scrocchi with two nozzles for lateral closure	1 1395	€ 202,31
Pair of Scrocchi with upper nozzle for top closure and floor nozzle for bottom closure	2 1396	€ 202,31
Pair of Scrocchi with upper nozzle for top closure and low nozzle for lateral closure	3 1397	€ 202,31

External cover plates for fire doors E12/REI



	CODE	PRICE
Fixed knob without cylinder hole black color	1 5004	€ 38,14
Fixed knob with black cylinder hole	2 9169	€ 38,14
Half handle without cylinder hole black color	3 5005	€ 45,32
Half handle with cylinder hole black color	4 5006	€ 45,32

Horizontal bar for Grab bars Anti-panic Fast Push Line



CODE	PRICE
9170	€ 22,70
Red mm 900	
CODE	PRICE
9171	€ 26,74
Red mm 1200	
CODE	PRICE
9172	€ 40,82
Red mm 1500	
CODE	PRICE
9173	€ 26,74
Grey mm 1200	

Air door clothe for non-fire doors from 40 to 80 cm



(Per ante di massimo 1100 mm)

No per porte REI

Technical characteristics

- Steel arm with stop
- Monobloc body in die-cast aluminium alloy
- hardened steel pinion and rack mechanism for smooth and efficient operation

Removable ABS Cover

Supplied:

- Fixing screws
- Mounting template and installation



	CODE	PRICE
BLACK	0570	€ 52,28
SILVER	9192	€ 52,28

External handles for grab handlebars
Anti-Panic on doors



	CODE		PRICE
With key on handle black color	10886	1	€ 133,13
With key in the body prolonged black color	10832	2	€ 97,71



External cover Plate
For doors

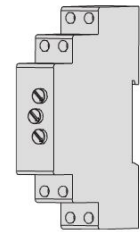


	CODE	PRICE
With black knob	9168	€ 91,62

Electric handles

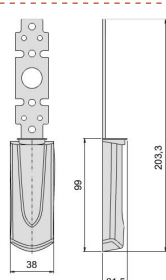
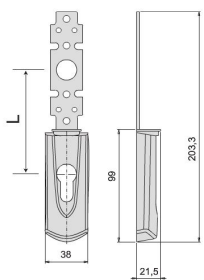


		CODE	PRICE
New black model	1	5007	€ 712,24
Timer	2	5009	€ 143,26
Old black model	3	5008	€ 712,24



Cover plates for
antipanic handles

1 2 3 4



		CODE	PRICE
Q - M Lenght 72 mm black colour	1	5015	€ 16,59
Q - M Lenght 85 mm black colour	2	5016	€ 16,59
Q - M Lenght 92 mm black colour	3	5017	€ 16,59
Without cylinder hole black color	4	9167	€ 16,59

Signs for fire doors



	CODE	PRICE
mm 230x290	1672B	€ 4,62
mm 330x500	1672C	€ 14,62

ANTIPANIC PULL HANDLE FOR NON-FIRE DOORS - CIRCEO

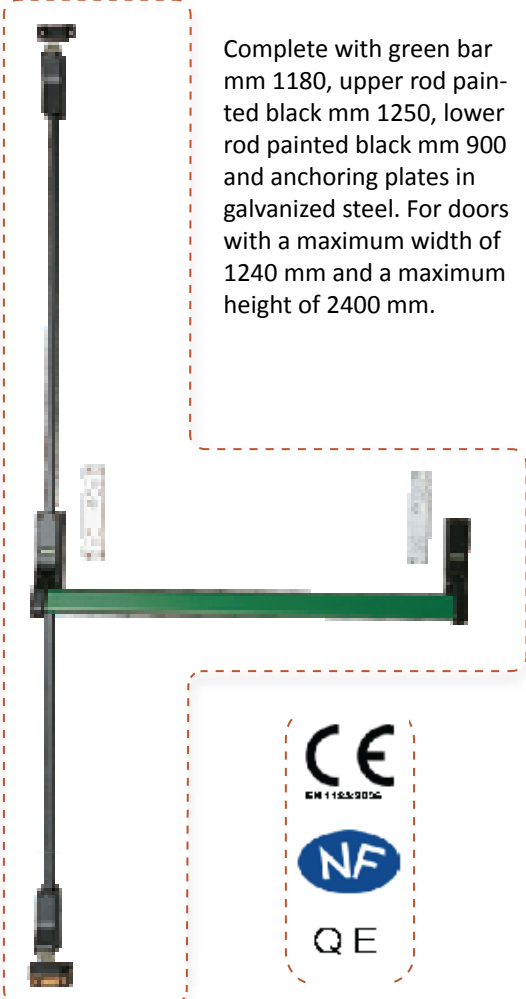


Horizontal, reversible, anti-panic handlebar, in die-cast aluminium, Zamak and steel, 2 screws TC Ø 4, 2x13, 8 screws TS Ø 4, 2X13, 8 screws TS M4x30 in galvanized steel. Complete with green bar cm. 1180 and galvanized steel anchorage plates. For doors with a maximum width of 1240 mm

CODE	PRICE
KH	€ 264,33



Vertical panic handle, ambidextrous in die-cast aluminium, zamak, steel and bronze, 2 screws ts M4x8, 2 screws TC Ø 4, 2x13, 12 screws TS Ø 4, 2X13, 4 screws TS Ø 4, 2X38, 8 screws TS M4x30 in galvanized steel.

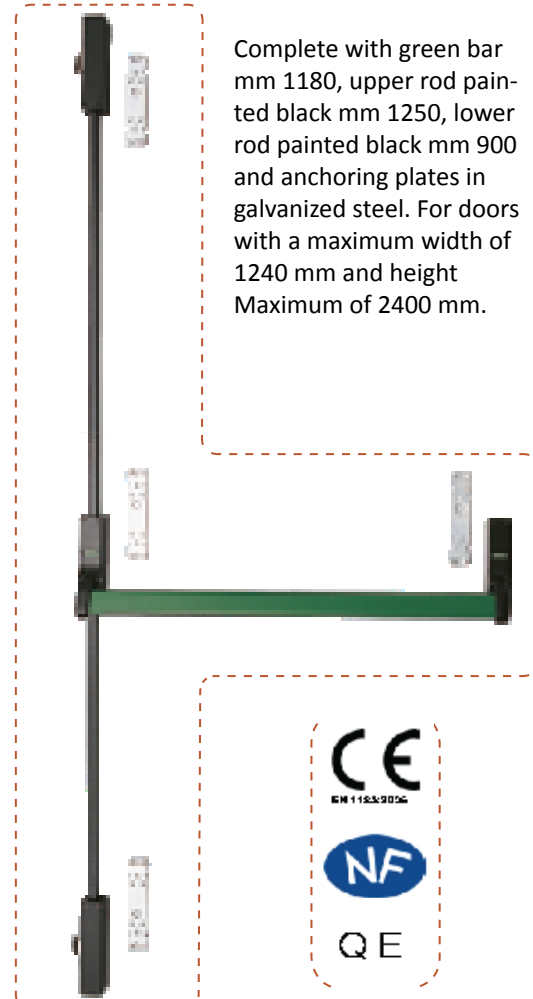


Complete with green bar mm 1180, upper rod painted black mm 1250, lower rod painted black mm 900 and anchoring plates in galvanized steel. For doors with a maximum width of 1240 mm and a maximum height of 2400 mm.



CODE	PRICE
KH2	€ 403,00

Vertical panic handle, ambidextrous in die-cast aluminium, zamak, steel and bronze, 2 screws ts M4x8, 2 screws TC Ø 4, 2x13, 12 screws TS Ø 4, 2X13, 4 screws TS Ø 4, 2X38, 8 screws TS M4x30 in galvanized steel.



Complete with green bar mm 1180, upper rod painted black mm 1250, lower rod painted black mm 900 and anchoring plates in galvanized steel. For doors with a maximum width of 1240 mm and height Maximum of 2400 mm.



CODE	PRICE
KH3	€ 423,80

VERTICAL ROD FOR CIRCEO HANDLEBARS

Control from external reversible with handle and European shaped cylinder, support and handle in black painted zamak, brass cylinder with 3 nickel-plated keys, square shaft and toothed washer in galvanized steel, 2 thicknesses and cap in black nylon, 1 screw tcei M6x16 and 2 M5x70 TS screws in galvanized steel.

Like KHC but with 3 keys to equal encryption.



CODE
KHC
PRICE
€ 127,83

CODE
KHCU
PRICE
€ 127,83

EXTERNAL HANDLEBAR FOR CIRCEO HANDLEBARS

Vertical beam of 200cm in steel painted (adapt for doors with high max 310cm).



CODE
KHU
PRICE
€ 39,00

REPLACEMENT ACCESSORIES FOR CIRCEO PANIC BARS



Third closing point, ambidextrous, support in black painted alluminium, latch in nickel-plated zamak and gusset in plastic self-lubricating pre assembled material , fixing galvanized steel plate, 2 striker plates in black painted zamak, black nylon insert, black nylon rabbed ledge , 2 screws TC Ø 4,2x13, 4 screws TS Ø 4,2x13, 4 screws TS M4x30 in black galvanized steel.

CODE	PRICE
KHF	€ 105,30



Zamak intermediate support, die and galvanized steel metal, 4 screws TS Ø 4,2x13 e 4 screws TS M4x30 in black galvanized steel.

CODE
KHT
PRICE
€ 140,83



Horizontal powder coated steel plank of 150cm (suitable for door with max 156 width).

CODE
KHR
PRICE
€ 65,00

EXTERNAL HANDLES FOR PULL HANDLE ANTIPANIC BERNINI / CELLINI



External command handle in insane in painted zama and galvanized steel, handle in zama, cylinder with different combinations, 3 nicked keys, tree picture in steel galvanized white, 2 grapevines TS M5x80 in galvanized steel.

CODE	PRICE
9238	€ 135,63

CODE	PRICE
9239	€ 135,63

External command handle in insane in painted zama and galvanized steel, handle in zama, cylinder with different combinations, 3 nicked keys, tree picture in steel galvanized white, 2 grapevines TS M5x80 in galvanized steel.

EXTERNAL HANDLES FOR PULL HANDLE ANTIPANIC BERNINI / CELLINI

CODE
9240
PRICE
€ 262,17



External command handle a in insane panted zamak and zinc plated steel, allumiunium handle painted die cast alluminium, european cylinder with different europeo con combination, 3 nichel finish keys, white zinc plated steel framework tree, 1 screw TCEI M5x30 e 2 zinc plated steel screws TS M5x80. Equipped with condominium device.

As Code 9240 but with 3 keys a equal encryption.

CODE
9242
PRICE
€ 262,17

EXTERNAL OFFICE LOCK FOR PULL HANDLE BERNINI / CELLINI



External command in painted zamak and zinc plated steel, fixed office lock handle or, european cylinder with different europeo con combination, 3 nichel finish keys, albero quadro, 2 zinc plated steel screws TS M5x80.

CODE	PRICE
9244	€ 217,10
9244-1	€ 14,30

9244-1 Antirotation kit for 9244 to be combined if this plate is used with handles KH-KH2-KH3

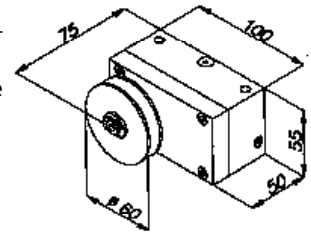
CLOSING REGULATORS WITH SLIDING LOADING DOORS

The continuous closing regulators allow to stop the automatic reclosing of a sliding fire door. Exceeded the moment critical of the departure, the speed of the door increases progressively and proportionally to the excursion period and to the proper weight. In emergency situations, the developed energy could cause serious damage to people or things that could intervene. The hydraulic regulator allows to stabilize the closing speed in a constant way.

CONMTINUOUS CLOSING REGULATOR



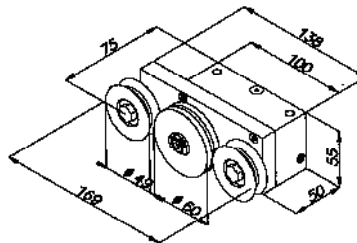
Hull in aluminum single piece side Dimensions Pulley in steel, diameter mm. 60 for the insertion of a strap trapezoidal (to application special pulleys) System oleodinamico to free slide in hourly sense and braked in sense anti-schedule (reversing). Grapevine regulation of the system of braked. Side fixing through grapevines M8 for the insertion on stirrups of support (not you furnish) Employment: continuous regulator of closing for front doors firebreak flowing to counterweights



CODE	PRICE
5048	€ 624,00

CONMTINUOUS CLOSING REGULATOR 3 WHEELS

Hull in aluminum single piece side Dimensions central Pulley in steel with insert in vulcolan, diameter mm. 60 for the insertion of a cable in steel of dia delrin of diameter mm. 50 system oleodinamico to free slide in sense anti-schedule (reversing). Grapevine regulation of the system of braked. Side fixing through grapevines M8 for the insertion on stirrups of support (not you furnish) Employment: continuous regulator of closing for front doors firebreak flowing to counterweights



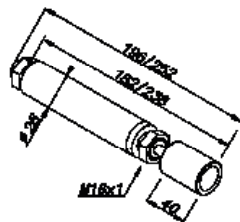
CODE	PRICE
5049	€ 663,00

HYDRAULIC DAMPERS OF IMPACT FOR FIRE WALL SLINING LOADING DOORS

The hydraulic dampers are used as end run to slow down the impact and therefore to facilitate the closing of a flowing front door thanks to the consequential braking effect from the passage of the oil through holes and cave realized in the cylindrical body. Through a system of regulation you/he/she can be increased or decrementare the degree of frenatura opening or closing the passages of the oil through the piston. The stem of the damper, once compressed, it automatically rearms him to the reopening of the door through a special magnet, predisposing himself/herself/itself for a new cycle.

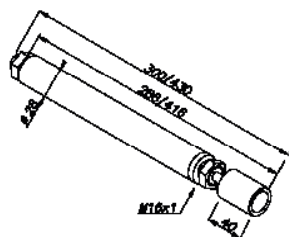
SHORT HYDRAULIC DAMPERS

Cylindrical hull in steel galvanized Diameter of the body and th magnet: mm. 28 comprehensive least total length of magnet: mm. 196 total length in maximum extension: mm. 252 run: mm. 56 system of amortization oleodinamico Regulatic of the hardness of the damper Fixing through filleted terminal: M 16 x 1 safety Valve to make to escape the braking liquid in case of fire and to avoid the spontaneous rearmament of the stem for thermal expansion of the liquid (Code 5050) employment: damper of impact in closing for front doors firebreak flowing to counterweights



	CODE	PRICE
With safety valve	5050	€ 225,33
Without safety valve	5051	€ 203,67

LARGE HYDRAULIC DAMPERS



Cylindrical body in galvanized steel
 Diameter of the body and of the magnet: mm. 28
 Minimum total length including magnet: 300 mm Total length in maximum extension: 430 mm
 Stroke: mm. 130 -
 Hydraulic shock absorber system - Adjustment of shock absorber hardness - Fixing by threaded M 16 x 1 terminals
 Safety valve to release the brake fluid in case of fire and to avoid the spontaneous re-armming of the stem due to thermal expansion of the liquid.
 Use: impact cushion in closing for counterweight sliding sliding doors

	CODE	PRICE
With safety valve	5052	€ 338,00
Without safety valve	5053	€ 316,33

CENTRAL SINGLE ZONE FIRE PREVENTION ALARM

Box in beige ABS

Dimensions: mm. 240 x 150 x 48

Supply: Main, from 230 Vac 50-60Hz network

Auxiliary, supplied by n. 2 batteries 12 Vdc 1.1 / 1.3 Ah
(art. 00112 mandatory and supplied separately)

Operating area: single

Main panel with LED for the luminous status indications operating of the plant, with the following views:

- fire alarm
- presence / lack of mains voltage
- presence / lack of auxiliary voltage (battery)
- general failure of the control panel
- line failure of the detector (s)
- line failure of the remote alarm button (s)
- manual off-center status of the control unit
- siren line fault
- electromagnets supply
- system failure

Push button of off duty manual of the line siren and of the pulsating lines and detectors Pulsating of restoration from the condition of alarm, breakdown or off duty key Interrupter for the access to the functions of Level 2 of the central Entries (on terminal block):

Revealing line / the of heat and smoke (up to 5 unities, obligatory and furnished apart, certified EN54-5 - heat art. 05204 and EN54 -7. Pulsating line / the remote one / the activation alarm (up to 5 unities, min. 2 obligatory furnished apart, certified EN54 -11) pulsating line / the remote one / the I release subsequently manual electromagnets external Button of tacitazione / reactivation sonorous alarm of the buzzer to alarm.

Issue (in terminal strip):

Line electromagnets (up to n°4 - 24 Vdcs - Max. 300 MA total) Gone out for the connection to until n°2 external sirens (obligatory additional electronic siren furnished apart and certified EN54 -3) working in parallel to the inside suoneria of the plant. N°1 gone out to relay on COM contacts./N.To./N.C. (2 to) for the external signaling of the off duty one / breakdown of the plant.

Other stipulated functions:

Signaling presence / lack net of feeding

Signaling presence / lack auxiliary (batteries) tension

Control of the qualitative state of the batteries

Tacitazione of the signaling of alarm of the plant

Reactivation of the signaling of alarm subsequently to a new signaling of alarm from one any of the devices of survey

Possibility to put the plant in off duty manual for her maintenance of the plant

Identification and signaling (visual and sonorous) of the presence of the lines of the circumferentors and the remote buttons of activation of the alarm of fire

Possibility of delay on the disalimentazione of the electromagnets of deduction.

Conformity: EN54-2 (central) and EN54-4 (feeder)

CODE	PRICE
0576	€ 520,00



COMBINANT DETECTOR OF HEAT AND FUME



Box in material plastic of color white
Dimensions: mm. 110 diameter x 54 height
Feeding: from 12 Vdcs to 33 current Vdcs
Assorbimento in alarm: 12 - 45 MA
operating temperature: -20 °Cs to + 70 complete additional Revealing °Cs of base for the ceiling fixing, collegabile to the Revealing article 0576 conforming to the An ENs 54-7

CODE	PRICE
0576-1	€ 145,17

DETECTOR OF RATE OF RISE HEAT



Box in ABS of white color
Dimensions: mm. 110 diameter x 54 height
Feeding: from 12 Vdcs to 33 Vdcs
Absorption to rest: 80 microAs / in alarm: 20 MA
Technology of operation: thermal to fixed temperature of 60 °Cs and termovelocimetrico.
Revealing additional complete of base for the ceiling fixing, collegabile to the article 0576
Compliance: EN54-5

CODE	PRICE
0576-2	€ 108,33

ELECTRIC SIREN



6 tones chosen on the basis of tone for alarms in two stadiums
Control of the volume For insides and outside Sirena IP 65, basic IP 54 or IP 65 Feeding from 9 to 28 Vccs
Colore red or white operating temperature: -25°C ÷s +70°C
Type of connection: To double clamps (6) for derivation. EN54-3

CODICE	PREZZO
0576-3	€ 153,83

RESTE BOTTON



Plastic box in white color for the wall mounting.
Dimensions: mm. 81 x 67 x 55

The button to silence the fire alarms must be positioned near the central unit 0576 and in any case within and not more than 100cm from it.

CODE	PRICE
0576-5	€ 41,17

SHOWCASE FOR ACTIVATION PRESSURE ALARM



Plastic box in ABS
Dimensions mm. 99 xes 95 xes 43
I contact in inside exchange C. /N.To./N.C.
I rearm manual of the contact
Degree of protection: IP41
Transparent cover in plexiglass for the protection of the button of activation of the reliquary
Box of red (for the connection to fittings anti-fire) color
Employment: the pressure on the frontal plate in active plastics
the commutation of the electric contact
Compliance: EN54-11

CODE	PRCE
0576-4	€ 49,83

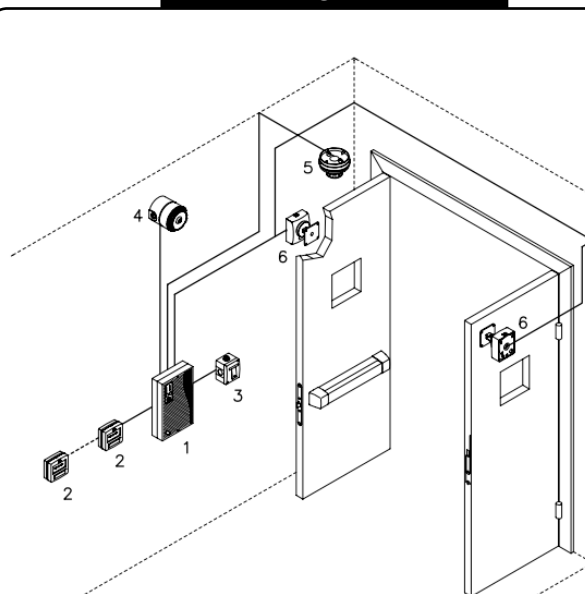
ELECTRONIC SIREN



Battery to the lead to 12 rechargeable Vdcs
Thinkness: 1,2 Ah for art. 52002

CODE	PRICE
0576-6	€ 57,60

LEGEND



- 1.Centrale single zone
- 2.Activation botton
- 3.Silencing botton
- 4.Siren
- 5.Rilevator
- 6.Electromagnet.

ELECTROMAGNET OF HELD BACK TO YOU SEEM IN STEEL WITH CARTER



Version: fixing to wall Body in steel (you see dimensions to pag. 26) block electromagnet nickerled Feeding: 24 Vdcs - Current absorbed: 70 MA Forces traction: > 55 Kg.

Pivot residual anti-magnetism on the body electromagnet.

Connector of grapevine connection with varistore anti-trouble Furnished without a strike plate

Without unblock botto	CODE	PRICE
Black pianted steel hull	5023	€ 67,60
Stainless steel hull	5024	€ 85,58
With unblock botto	CODE	PRICE
Black pianted steel hull	5025	€ 72,15
Stainless steel hull	5026	€ 90,13

Conformity: An ENs 1155
Employment: electromagnet for doors shutter firebreak

ELECTROMAGNET OF DEDUCTION TO FLOOR

Version: fixing to floor.
Hull in metal painted black or white.



Nickerled electromagnet block
Feeding: 24 Vdcs - Current absorbed: 70 MA. He/she forces traction: > 55 Kg.
Pivot residual anti-magnetism on the body electromagnet.
Connector of grapevine connection with varistore anti-trouble. Furnished without contropiastra
Conformity: An ENs 1155
Employment: electromagnet for doors shutter firebreak

CODE	PRICE
0573	€ 241,15
Hull in black painted steel	

with bottom block

CODE	PRICE
5029	€ 241,15
Hull in white painted steel	

ELECTROMAGNET OF DEDUCTION TO WALL COLLECTION



CODE	PRICE
5027	€ 67,60

Version: fixing from collection to wall - Frontal in steel inox with block nickerled electromagnet - Dimensions frontal: mm. 85 xes 85 xes 2
Dimensions electromagnet:

diameter mm. 50 xes depth mm. 35 feeding: 24 Vdcs - Current absorbed: 70 MA Forces traction: > 55 Kg.

Pivot residual anti-magnetism on the body electromagnet Connector of grapevine connection with varistore anti-trouble Furnished without contropiastra With pulsating of unblocking Conformity: An ENs 1155
Employment: electromagnet for doors shutter firebreak.

BUILT-IN ELECTROMAGNET BOX

CODE	PRICE
5028	€ 32,50



Hull: in aluminum color I silver Dimensions: mm. 85,5 xes 85,5 xes 38,5 Employment: collection box or to apply for electromagnets Cod. 5027

ELECTROMAGNET OF DEDUCTION FIXING TO WALL

Version: fixing to wall Box in steel painted black Block electromagnet nicked Dimensions to fund page Feeding: 24 Vdcs / Current absorbed: 70 MA A

Traction force: > 140 Kg.

Pivot residual anti-magnetism on the body electromagnet Connector of connection with varistore anti-trouble Furnished without blackplate

With unblock bottom

Conformity: An ENs 1155

Employment: electromagnet of deduction for doors shutter firebreak

CODE	PRICE
5031	€ 144,30



ELECTROMAGNET OF DEDUCTION FIXING TO WALL

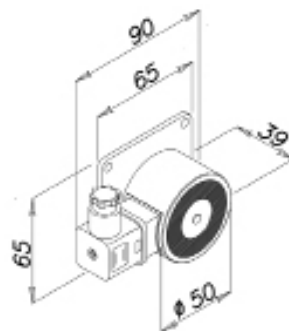
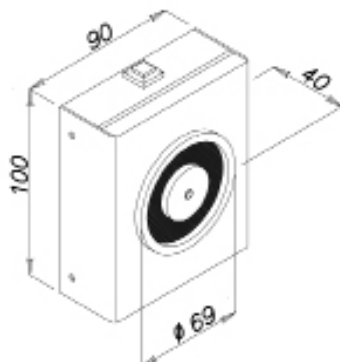


Base in steel painted black Block electromagnet nicked Dimensions base electromagnet and contropiastra: mm. 65 xes 65 xes 3 Dimensions to fund page Feeding: 24 Vdcs / Current absorbed: 70 MA Pivot residual anti-magnetism on the body electromagnet Connector of connection with varistore anti-trouble Furnished without contropiastra Conformity: An ENs 1155 Employment: electromagnet of deduction for doors shutter firebreak or flowing to counterweights.

	CODE	PRICE
Traction force: >55 Kg.	5032	€ 135,20
Traction force: >140 Kg.	5033	€ 173,33

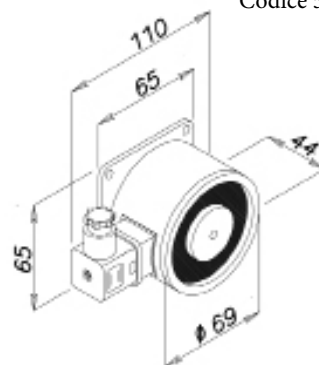
ELECTROMAGNET DIMENSIONS

Codici - 5031



Code 5032

Codice 5033



ABS WALL-MOUNTED ELECTROMAGNET

Version: wall mounting

ABS body with galvanized steel base
Nickel-plated electromagnet block

Dimensions at the bottom of the page
Power supply: 24 Vdc - Current consumption: 70 mA

Fixed tractive force:> 55 Kg

Residual anti-magnetism pin on the electromagnet body

Connection connector with varistor
anti-jamming

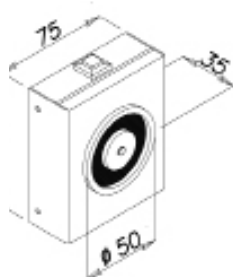
Supplied without counterplate

Compliance: UNI EN 1155
Use: electromagnet for doors
fire door with leaf



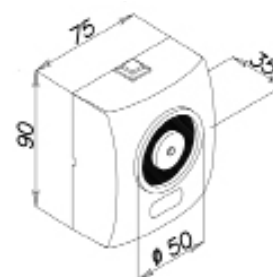
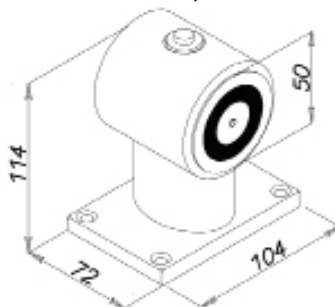
With unlock button	CODE	PRICE
ABS hull black colour	5036	€ 68,90
ABS hull grey colour RAL 7035	0572	€ 68,90

ELECTROMAGNET DIMENSIONS



Codes: 5023/5024/5025/5026

Codes: 0573/5029



Codes: 5034/5035/5036/0572



FIX PLATE



CODE
5040
PRICE
€ 28,17

Fixed plate for electromagnets codes: 5023/5024 / 5025/5026/5027/0573/5029/5034/5035/5036 / 0572/5037/5038/5039
Galvanized steel base with rubber support between base and plate for articulation

ARTICULATED PLATE



CODE
5041
PRICE
€ 35,32

Articulated plate for electromagnets codes: 5023 / 5024/5025/5026/5027/0573/5029/5034/5035 / 5036/0572/5037/5038/5039
Base in galvanized steel

FIX PLATE



CODE
5042
PRICE
€ 56,77

Fixed plate for electromagnets codes 5030/5031/5032/5033
alvanized steel base with rubber support between base and plate for articulation

ARTICULATED PLATE



CODE
5043
PRICE
€ 63,92

Articulated plate for electromagnets codesi 5030/5031/5032/5033
zinc steel base

UNCLOCK/RESET BUTTON



Plastic box in gray color for wall mounting
Dimensions: mm. 81 x 67 x 55
Pushbutton contact type N.A./N.C.
Use: push-button for the remote opening of the holding electromagnets or for the reset of the fire control unit art. 52002

CODE	PRICE
5047	€ 41,17

FIXING TELESCOPIC SUPPORT "WALL-MOUNTED" OR "A FLOOR" ELECTROMAGNET



Extendable column with square section mm. 40 x 40 for horizontal fixing to the wall or vertical to the floor of the electromagnets for fire doors - Body in black painted steel. Plate for fixing the 180 ° adjustable electromagnet

	CODE	PRICE
Large. 140 mm adjustable up to mm 220	0575	€ 115,70
Large 218 mm adjustable up to mm 360	5046	€ 125,67

Employment: for electromagnet codes 5023/5024/ 5025/5026/5027/0573/5029/5030/5031/5032/ 5033/5034/5035/5036/0572

REPLACEMENT PARTS FOR SMOKE AND HEAT DETECTION PLANTS

ACOUSTIC TRANSPONDER

CODE
10335
PRICE
€ 72,00



ACOUSTIC TRANSPONDER IP65 EN54-3
Red established siren, base complete IP65

CODE
10398
PRICE
€ 194,40



INDICATOR LIGHT EN54-17
Addressable flash strobe with isolator, powered by loop. Requires support assembly. EN-54-3



CODE
10397
PRICE
€ 279,36

INDICATOR LIGHT/ACOUSTIC EN54-3/17
Electronic siren with addressable flash with isolator, powered by loop. Requires assembly support. EN-54-3



CODE
10399
PRICE
€ 24,91

SIRENE SUPPORT NFXI
High-profile mounting bracket in red. Complete with base B501AP.



CODE
10400
PRICE
€ 40,90

SIRENE SUPPORT NFXI
"Waterproof" mounting bracket of Red. Complete with base B501AP.

"FIRE ALARM" OPTICAL / ACOUSTIC PANEL OR "EVACUATE THE LOCAL"



CODE	PRICE
1066-1	€ 296,64



CODE	PRICE
1066	€ 296,64

24 Vdc self-powered optical / acoustic panel, entirely built with non-combustible materials (ABS VO) or non-flame propagators. Screens and words in PMMA (Polymethyl methacrylate) slow flammability.

ACOUSTIC SIGNAL WITH CYLINDER UNDER PRESSURE FROM 300 ML.



CODE
6083
PRICE
€ 17,00

For acoustic signals to be used for evacuation and / or emergency signals

SHIELDED CABLE AND TWISTED FOR FIRE SYSTEMS - RED MATASSA



Dimensions	CODE	PRICE
200 ml 2x0,5 EN	1078	€ 531,00
200 ml 2x1,0 EN	1079	€ 765,00
200 ml 2x1,5 EN	1080	€ 972,00
200 ml 2x2,5 EN	1081	€ 1.503,00



Suitable cables for installation in any type of room, such as domestic environments, kitchens and offices, industrial plants, public buildings, etc. Installable in conditions of high ambient temperatures (where there is no risk of contact with hot parts or radiation) or even in humid rooms, capable of withstanding medium mechanical stresses. Not suitable for outdoor installation. (CEI 20-22II) These cables are allowed for voltages 450 ÷ 750V. The sections available range from 0.5 mm up to 2.5 mm. For installation at risk of fire, the operating temperature range is:

SMOKE OPTIC DETECTOR

The optical room with a photocell analyzes the reflections caused by the particles contained in the smoke generated by combustion. The internal geometry of the optical chamber helps to capture smoke particles and is insensitive to environmental effects they could give disturbances. The circuit internal has an analyzer signal to reduce false alarms. Adopt a new algorithm signal management for "Offset" the accumulation of dirt.



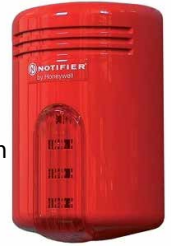
(not addressed)

CODE	PRICE
1064	€ 82,08

BELL AND SIREN

CODE	PRICE
6190-1	€ 344,16

Autonomous electronic siren 24 Vccs. with blinking light



CODE	PRICE
1418	€ 233,33



Lower part bell consumption and universal sound. Proper for industrial applications, automotive

HEAT OPTIC DETECTOR (TERMIC)

Revealing to double technology. Optic and thermal, same characteristics of the cod. 1064 with in anymore a sensor of temperature velocimetrico. The inside circuit elaborates the si independent algorithms and appra a logic of collaboration on purpose studied, increasing the speed of answer and the sensibility of the system, maintaining however a high immunity to the forgeries alarms.



(Not addressed)

CODE	PRICE
1063	€ 96,48

OPTIC DETECTOR

CODE
1270

PRICE
€ 182,88



Optic detector of smoke with insulating (Indirizzato)

BASE DETECTORS



CODE	CODE
1065	10396
PRICE	PRICE
€ 15,84	€ 18,72



ADDRESSED DETECOTORS

Universal bases used for all the types of detectors. Deprived of electronic components, it allows the verification of the wiring before the installation.

MANUAL ALARM BUTTONS DIM. MM 93X89X59,5

COD. 1070
Approved CPD in accord to the normative EN 54 -11.

Manual button to breakup glass to one exchange. Furnished with key of test. Feeding 24Vcc. Temperature of funzionamento from -10°C to +55°C. Relative damp actually to 95%. Degree of Protection IP24D.

	CODE	PREZZO	
Turning off block	Blue	1068	€ 56,16
Turning off block	Yellow	1069	€ 56,16
Turning off block	Red	1070	€ 47,52



VETRINO DI RICAMBIO PER PULSANTE

RECTANGULAR
Mis. mm 7,6x4,0

Pack. 10



CODE	PRICE
1072	€ 34,56

REPLACEMENT PARTS FOR SMOKE AND HEAT DETECTION PLANTS

CENTRAL SURVEY

Microprocessor fire control unit with 4 detection lines. It allows the connection of 25 fire detectors for each line and, through the optional board, the simultaneous management of 2 extinguishing channels for dry, water or gas extinguishing systems of all types.

Batteries 2 x 12V 7Ah (cod. 1062) excluded.



CODE

10774

PRICE

€ 921,60

TURNING OF CENTRAL

Detection and extinguishing control unit, three detection zones and one extinguishing channel. Equipped with input circuits for status signals such as flow control, low pressure, etc. and outputs for alarm, shutdown command, etc. Programmable and delayed switch-off channel up to 60 seconds. The control unit can, by selection, switch off automatically, manually or disabled.



CODE

1115

PRICE

€ 1.680,48

Batteries 2 x 12V 7Ah (cod. 1062) excluded.

CENTRAL BATTERY



	CODE	PRICE
Accumulator batteries at PB 12V 17 AH	10364	€ 151,20
Accumulator batteries at PB 12V 1,9 AH (slim)	10365	€ 60,75
Accumulator batteries at PB 12V 7 AH	1062	€ 41,85
Accumulator batteries at PB 12V 11 AH	1076	€ 57,60

SURVEY SMOKE AND HEAT ACCESSORIES FOR TEST OF DETECTORS



Without bomb
Cod. 1077

N.B.: the above test cylinders (code 1085 and 1086) are used only to test the correct operation of the gas detectors (max 10 detectors) and can not be used to calibrate them.

	CODE	PRICE
Bags for instrument transport and detectors accessories	1	1088 € 485,28
test tool fro optic/ion detectors	2	1082 € 475,20
Spray can for detectors test (around 350 test)	3	1077 € 72,00
Universal tool for extraction detectors	4	1083 € 825,12
220V tool for chemical test detectors	5	1084 € 1.584,00
Can gas methane test 50% with outlet (max 10 test)	3	1085 € 211,50
Test can CO (max 10 test)	3	1086 € 63,36
Spray can for detectors cleaning	3	1086-1 € 76,32
Telescopic tube from 4,5 ML.	8	1087 € 1.317,60
Extension from 1 ML. for Cod. 1087	-	1230 € 274,32
Test detectors bar Mt.5 con diffusor and magnet	10	0581 € 720,00



DOORS FIRE WALL FITTING

CHARACTERISTICS

Realized with a special coal mixture and binder termoespandente releasing aqueous vapor that combined to thermoplastic it gets an effect of sealing termoespandente with insulating function and of absorption of heat, preventing the passage of fire, smokes and gas.

	CODE	PRICE
Thermoexpanding fitting CL1 black 10 mm (coil from 25 ML.)	1962	€ 37,22
Thermoexpanding fitting CL1 black 15 mm (coil from 25 ML.)	0580	€ 56,50
Thermoexpanding fitting CL1 black 20 mm (coil from 25 ML.)	0207	€ 66,98
Thermoexpanding fitting CL1 black 24 mm (coil from 25 ML.)	0208	€ 90,67
Thermoexpanding fitting CL1 black 40 mm (coil from 25 ML.)	0532	€ 143,86
Thermoexpanding fitting CL1 black 48 mm (coil from 25 ML.)	0209	€ 168,05

Annex B

CLASSIFICATION OF FIRE RESISTANT DOORS

The classification system adopted for fire resistant doors is shown below:

E	15	20	30	45	60	90	120	180	240
EI1	15	20	30	45	60	90	120	180	240
EI2	15	20	30	45	60	90	120	180	240
EW		20	30		60				

The sealing requirement E is the ability of a door or other closing element to not let the flames, vapors or hot gases on the unexposed side pass through the production of fire on one side.

The loss of the E requirement occurs when one of the following phenomena occurs: openings in pass-through slots greater than fixed dimensions (point 10.4.5.3 of UNI EN 1363-1); ignition of a cotton ball placed at a distance of 30 mm for a maximum of 30 s (point 10.4.5.2 of UNI EN 1363-1) on the entire surface;

persistent flame on the unexposed face. The isolation requirement I is the attitude of a door or other closing element to reduce the transmission of heat from the side exposed to the fire to the unexposed side within a given limit. The loss of the sealing requirement also means loss of the insulation requirement, whether the specific temperature limit has been exceeded or not. There are two isolation criteria.

Isolation I1

It is considered that the item under test loses thermal insulation when the first of the following phenomena occurs:

- the increase in average temperature on the unexposed face exceeds 140 ° C (point 9.1.2.2 of UNI EN 1634-1);
- the increase in temperature at each point of the leaf, with the exclusion of the area within 25 mm from the visible edge or through hole, exceeds 180 ° C (point 9.1.2.4 letter b) of UNI EN 1634-1);
- the increase in temperature on the frame exceeds 180 ° C at a distance of 100 mm from the through hole if the frame is wider than 100 mm or at the maximum possible distance if the frame is less than or equal to 100 mm (point 9.1.2.3 letter b) of UNI EN 1634-1)

I2 isolation

It is considered that the item under test loses thermal insulation when the first of the following phenomena occurs: the increase in average temperature on the unexposed face exceeds 140 ° C (point 9.1.2.2 of UNI EN 1634-1);

- the temperature increase at each point of the leaf, with the exclusion of the area within 100 mm from the visible edge or through hole, exceeds 180 ° C (point 9.1.2.3 letter c) of UNI EN 1634-1);
 - the increase in temperature on the frame exceeds 360 ° C at a distance of 100 mm from the through hole if the frame is wider than 100 mm or at the maximum possible distance if the frame is less than or equal to 100 mm (point 9.1.2.3 letter b) of UNI EN 1634-1).
- The irradiation requirement W is the aptitude of a door or other closing element to resist the fire acting on a single face, reducing the radiant heat transmission both to the materials constituting the unexposed surface and to other materials or to persons it adjacent. A door or other closure element which satisfies the isolation criteria I1 or I2 is deemed to satisfy also the requirement of irradiation W for the same time. The loss of the sealing requirement E automatically means loss of the irradiation requirement W.

EXTRACT FROM THE DECREE 21 June 2004 (MINISTERO DELL'INTERNO) - (Official Gazette No. 155 of 5/7/2004)

Technical and procedural standards for the classification of fire resistance and approval of doors and other closing elements.

THERMOSENSIBLE FARTS (diameter 5 mm)



		CODE	PRICE
AM 5 Ø mm. - 68° Red	1	9500	€ 10,74
Fart AM 5 Ø mm. - 93° Green	2	9501	€ 11,01
Fart AM 5 Ø mm. - 120° Light blue (only on order min. 300 pz.)	3	9502	€ 28,73
Fart AM 5 Ø mm. - 141° Blue	4	9503	€ 17,64
Fart AM 5 Ø mm. - 182° Mallow	5	9504	€ 24,27

THERMOSENSIBLE FARTS (diameter mm 8)



		CODE	PRICE
Fart AM 8 Ø mm. - 68° Rrd	1	9505	€ 12,59
Fart AM 8 Ø mm. - 93° Green	2	9506	€ 12,85
Fart AM 8 Ø mm. - 120° Light blue (only on order min. 300 pz.)	3	9507	€ 28,73
Fart AM 8 Ø mm. - 141° Blue	4	9508	€ 18,44
Fart AM 8 Ø mm. - 182° Mallow	5	9509	€ 26,86

THERMOSENSIBLE FARTS (diameter mm 12)



		CODE	PRICE
Fart AM 12 Ø mm. - 68° Red	1	9510	€ 11,96
Fart AM 12 Ø mm. - 93° Green	2	9511	€ 16,75
Fart AM 12 Ø mm. - 120° Light blue (only on order min. 300 pz.)	3	9512	€ 29,36
Fart AM 12 Ø mm. - 141° Blue	4	9513	€ 18,05
Fart AM 12 Ø mm. - 182° Mallow	5	9514	€ 20,66

CO2 HERMETIC CYLINDER NOT RECHARGEABLE - Thread UNF da 1/2" - 20 (12,70x1,27)

DESCRIPTION	PRICE	CODE
CO2 28 gr. UNF 1/2"-20 Temp. max 93°C	€ 39,15	9516
CO2 38 gr. UNF 1/2"-20 Temp. max 93°C	€ 47,85	9517
CO2 55 gr. UNF 1/2"-20 Temp. max 93°C	€ 84,82	9518
CO2 80 gr. UNF 1/2"-20 Temp. max 93°C	€ 130,50	9520
CO2 120 gr. UNF 1/2"-20 Temp. max 93°C	€ 158,77	9521
CO2 150 gr. UNF 1/2"-20 Temp. max 93°C	€ 174,00	9522
CO2 300 gr. UNF 1/2"-20 Temp. Max 50°C (only for BOX)	€ 241,42	9523
CO2 500 gr. UNF 1/2"-20 Temp. Max 50°C (only for BOX)	€ 321,90	9524
CO2 750 gr. UNF 1/2"-20 Temp. Max 50°C (only for BOX)	€ 456,75	9525
CO2 1000 gr. UNF 1/2"-20 Temp. Max 50°C (only for BOX)	€ 669,90	9526
CO2 1500 gr. UNF 1/2"-20 Temp. Max 50°C (only for BOX)	€ 839,55	9527



CO2 HERMETIC NOT RECHARGEABLE- with thread reducer UNF da 5/8" - 18



DESCRIPTION	PRICE	CODE
CO2 28 gr. rid.da UNF 1/2"-20 a 5/8"-18 max 93°C	€ 58,72	9529
CO2 38 gr. rid.da UNF 1/2"-20 a 5/8"-18 max 93°C	€ 67,42	9530
CO2 55 gr. rid.da UNF 1/2"-20 a 5/8"-18 max 93°C	€ 104,40	9531
CO2 80 gr. rid.da UNF 1/2"-20 a 5/8"-18 max 93°C	€ 150,07	9533
CO2 120 gr. rid.da UNF 1/2"-20 a 5/8"-18 max 93°C	€ 178,35	9534
CO2 150 gr. rid.da UNF 1/2"-20 a 5/8"-18 max 93°C	€ 193,57	9535
CO2 300 gr. rid.da UNF 1/2"-20 a 5/8"-18 max 93°C (only for BOX)	€ 261,00	9536
CO2 500 gr. rid.da UNF 1/2"-20 a 5/8"-18 max 93°C (only for) BOX)	€ 341,47	9537
CO2 750 gr. rid.da UNF 1/2"-20 a 5/8"-18 max 93°C (only for BOX)	€ 476,32	9538
CO2 1000 gr. rid.da UNF 1/2"-20 a 5/8"-18 max 93°C (only for BOX)	€ 689,47	9539
CO2 1500 gr. rid.da UNF 1/2"-20 a 5/8"-18 max 93°C (only for BOX)	€ 859,12	9540

CO2 HERMETIC NOT RECHARGEABLE- - with thread reducer M15 x 1,25

DESCRIPTION	PRICE	CODE
CO2 28 gr. rid.da UNF 1/2"-20 a M15 x 1,25 max 93°C	€ 58,72	9542
CO2 38 gr. rid.da UNF 1/2"-20 a M15 x 1,25 max 93°C	€ 67,42	9543
CO2 55 gr. rid.da UNF 1/2"-20 a M15 x 1,25 max 93°C	€ 104,40	9544
CO2 80 gr. rid.da UNF 1/2"-20 a M15 x 1,25 max 93°C	€ 150,07	9546
CO2 120 gr. rid.da UNF 1/2"-20 a M15 x 1,25 max 93°C	€ 178,35	9547
CO2 150 gr. rid.da UNF 1/2"-20 a M15 x 1,25 max 93°C	€ 193,57	9548
CO2 300 gr. rid.da UNF 1/2"-20 a M15 x 1,25 max 50°C (only for BOX)	€ 261,00	9549
CO2 500 gr. rid.da UNF 1/2"-20 a M15 x 1,25 max 50°C (only for BOX)	€ 341,47	9550
CO2 750 gr. rid.da UNF 1/2"-20 a M15 x 1,25 max 50°C (only for BOX)	€ 476,32	9551
CO2 1000 gr. rid.da UNF 1/2"-20 a M15 x 1,25 max 50°C (only for BOX)	€ 689,47	9552
CO2 1500 gr. rid.da UNF 1/2"-20 a M15 x 1,25 max 50°C (only for BOX)	€ 859,12	9553



CO2 HERMETIC CYLINDER NOT RECHARGEABLE - with reduction gear for fillet stride M18 x 1,50



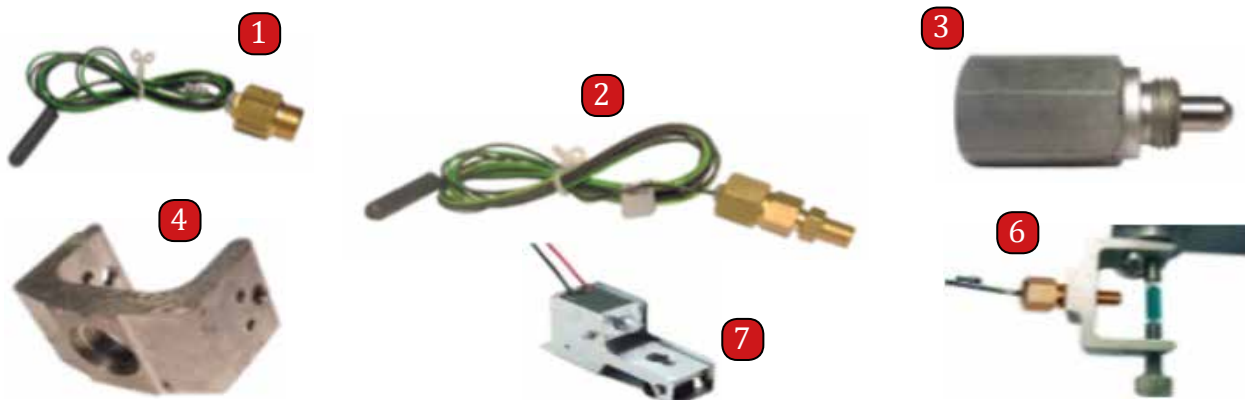
DESCRIPTION	PRICE	CODE
CO2 28 gr. rid.da UNF 1/2"-20 a M18 x 1,50 max 93°C (only on request)	€ 60,90	9555
CO2 38 gr. rid.da UNF 1/2"-20 a M18 x 1,50 max 93°C	€ 69,60	9556
CO2 55 gr. rid.da UNF 1/2"-20 a M18 x 1,50 max 93°C	€ 106,57	9557
CO2 80 gr. rid.da UNF 1/2"-20 a M18 x 1,50 max 93°C	€ 152,25	9559
CO2 120 gr. rid.da UNF 1/2"-20 a M18 x 1,50 max 93°C	€ 180,52	9560
CO2 150 gr. rid.da UNF 1/2"-20 a M18 x 1,50 max 93°C	€ 195,75	9561
CO2 300 gr. rid.da UNF 1/2"-20 a M18 x 1,50 max 93°C (only for BOX)	€ 263,17	9562
CO2 500 gr. rid.da UNF 1/2"-20 a M18 x 1,50 max 93°C (only for BOX)	€ 343,65	9563
CO2 750 gr. rid.da UNF 1/2"-20 a M18 x 1,50 max 93°C (only for BOX)	€ 478,50	9564
CO2 1000 gr. rid.da UNF 1/2"-20 a M18 x 1,50 max 93°C (only for BOX)	€ 691,65	9565
CO2 1500 gr. rid.da UNF 1/2"-20 a M18 x 1,50 max 93°C (only for BOX)	€ 861,30	9566

CO2 HERMETIC CYLINDER NOT RECHARGEABLE - with adapter plate for fillet W21,7 x 1,814



DESCRIPTION	PRICE	CODE
CO2 28 gr. rid.da UNF 1/2"-20 a (W21,7x1,814) max 93°C	€ 63,07	12148
CO2 38 gr. rid.da UNF 1/2"-20 a (W21,7x1,814) max 93°C	€ 71,77	12149
CO2 55 gr. rid.da UNF 1/2"-20 a (W21,7x1,814)max 93°C	€ 108,75	10775
CO2 80 gr. rid.da UNF 1/2"-20 a (W21,7x1,814) max 93°C	€ 154,42	12151
CO2 120 gr. rid.da UNF 1/2"-20 a (W21,7x1,814) max 93°C	€ 182,70	12152
CO2 150 gr. rid.da UNF 1/2"-20 a (W21,7x1,814) max 93°C	€ 197,92	12153
CO2 300 gr. rid.da UNF 1/2"-20 a (W21,7x1,814) max 93°C (only for BOX)	€ 265,35	12154
CO2 500 gr. rid.da UNF 1/2"-20 a (W21,7x1,814) max 93°C (only for BOX)	€ 345,82	12155
CO2 750 gr. rid.da UNF 1/2"-20 a (W21,7x1,814) max 93°C (only for BOX)	€ 480,67	12156
CO2 1000 gr. rid.da UNF 1/2"-20 a (W21,7x1,814) max 93°C (only for BOX)	€ 693,82	12157
CO2 1500 gr. rid.da UNF 1/2"-20 a (W21,7x1,814) max 93°C (only for BOX)	€ 863,47	12158

PIROTECHNICAL ACTUATORS



	CODE	PRICE
Pyrotechnical actuator TED3 M16x1,5 - 1,75 A/2 ms.	1 10872	€ 204,45
Pyrotechnical actuator CM/11/001 M8x0,75 - 1,75A	2 10798	€ 261,00
Striker for pyrotechnical type TED2 / COMET Fil. M16x1,5	3 9569	€ 93,52
Hanger for pyrotechnical type TED2 / COMET Fil. M16x1,5	4 9570	€ 41,11
Hanger for pyrotechnical type CM/08/002 Fil. M8x0,75.	6 9571	€ 41,11
Electromagnetic aqctuator for TERMIC VALVE type UCS	7 9573	€ 430,65

ADVIN FOAM PV

ADVIN FOAM PV is a new foam fit for seal small gaps, expansion joints spaces between the frame and the wall in the installation of fire doors. Expansion joints up to 50 mm, small gaps and interstices between masonry and closure elements.

ADVIN FOAM PV thanks to its expanding effect, is able to seal perfectly gaps of small dimensions and embossing between different nature materials. ADVIN FOAM PV, forms an isolant foam that in case of fire carbonise and it is consumed slowly.

ADVIN FOAM PV a can with a dispensing nozzle is supplied in order to allow an easy application. Shake for the application for about 30 seconds and inject in the gap the canister facing downwards. Application temperature must be between 4° and 30°.



CODE
00520010
PRICE
€ 42,79

EI 180 - Expanding foam for expansion joints up to 50 mm, gaps and interstices (Yield 35/40 liters)

ADVINFOAM PV CAN FROM 750ML

ADVIN MASTIC FOAM

ADVIN MASTIC FOAM is a new self-expanding fit for seal small gaps and different type of junction. Numerous cases exist, in fact, Esistono numerosi casi, infatti, in which is necessary to seal small gaps that might modify their volume or their passing surface, during the development of a fire.

Small gaps and joints up to 24 mm

ADVIN MASTIC FOAM thanks to its remarkable intumescent effect, it is able to seal perfectly gaps of small dimensions and junction between materials of different nature (electric cables and fireproof panel, masonries and steel walkway, walkway and leaded glass).

ADVIN MASTIC FOAM, the temperature about 100°C, expands rapidly its volumeshaping a foam adaptable in any form.



CODE
00690010
PRICE
€ 18,16

EI 180 - Intumescent mastic for small gaps and joints up to 24 mm

ADVIN MASTIC FOAM REI 180 CARTRIDGE 310

ADVIN MASTIC FOAM is supplied in cartridge and is applied by means of a suitable gun similar to a normal silicone. The thickness necessary for a correct seal is equal to 1 cm.

ADVIN BAGS

ADVIN BAGS are new fire bags for the temporary closure of gaps of big dimensions and of electric cables crossing and small combustible pipes. The electric cables crossing, in fact, often set the problem to have to allow easy and fast operations of intervention for the addition, the substitution and the removal of cables. In these cases the restoration of a traditional passive barrier can be difficult or straight impossible. The pouches ADVIN BAGS, can be assistant instead, or removed with extreme facility and they allow, besides, a rapid complete removal for possible inspections.



The pouches ADVIN BAGS has an operation is physical, due to the good power coibente of the materials in them contents, are chemical thanks to the additive termoespandente that, in case of fire, they increase his/her own volume entirely closing the passage.

The pouches ADVIN BAGS can be applied as normal pouches up to complete closing of the passage. And' necessary, before the positioning of the pouches, to order the cables on the passarella and to remove possible dirt or deposits. The quantity of the pouches necessary ADVIN BAGS for a correct protection must be calculates verifying the total volume of the passage, scorporato from the total volume of the crossing elements. The result must have increased of 10% to compensate possible carbonizations or breakups of the element of support. The calculated volume must be equal to that of the pouches to use. Naturally our technical office is able to effect all the necessary calculations to define the correct number of pouches to use and their dimensions.

DESCRIPTION		CODE	PRICE
BAGS EI 120 180X100X30 MM	CERTIFICATE IN MASONRY AND DRYWALL	00110060	€ 672,30
BAGS EI 120 180X200X30 MM	CERTIFICATE IN MASONRY AND DRYWALL	00110070	€ 404,59
BAGS EI 120 180X300X30 MM	CERTIFICATE IN MASONRY AND DRYWALL	00110080	€ 299,70

SEAL SHELL EI 120

SEAL SHELL is a new collar for the sealing of crossings of pipelines in PVC, PE. In case of fire, in fact, the combustible pipelines burn and they melt in few minutes leaving a passage that represents a critical zone able to jeopardize the resistance to the fire of an element of compartmentazione free. SEAL SHELL is constituted by a metallic hull so that to be able to easily be positioned around the pipe by to protect. The presence of material intumescente Advinseal K inside SEAL SHELL guarantees, during the fire and before the pipe founds completely, a complete closing of the passage of crossing, besides, the metallic structure assures a perfect estate of the material intumescente inside the same structure.

SEAL SHELL is applied on the side exposed to fire, and is suitable for use on pipes in:

- PVC up to 200 mm external diameter
- PE and PEHD up to an external diameter of 160 mm
- PP up to external diameter equal to 110 mm

SEAL SHELL UNIVERSAL DIMENSIONS

- up to internal diameter 100 mm = external diameter 116 mm
- from inside diameter 110 mm to internal diameter 160 mm = external diameter 192 mm
- internal diameter 200 mm = external diameter 240 mm



EI 120 - Collars for combustible pipes (PVC, PE, etc.) Apply only on the side exposed to the fire. If the fire is on both sides, apply 1 on each side. On REI 120 plasterboard, apply 2 on each side, one inside and one outside.

DESCRIPTION	CODE	QUANTITY	PRICE
SEAL SHELL FOR TUBE D. 40 MM LARGE 50 MM ING. EST. D.48 MM	00820012	Min. order 1 Pz.	€ 101,25
SEAL SHELL FOR TUBE D. 50 MM LARGE 50 MM ING. EST. D.58 MM	00820013	Min. order 1 Pz.	€ 103,50
SEAL SHELL FOR TUBE D. 63 MM LARGE 50 MM ING. EST. D.75 MM	00820014	Min. order 1 Pz.	€ 110,25
SEAL SHELL FOR TUBE D. 75 MM LARGE 50 MM ING. EST. D.87 MM	00820015	Min. order 1 Pz.	€ 126,00
SEAL SHELL FOR TUBE D. 90 MM LARGE 50 MM ING. EST. D.106 MM	00820017	Min. order 1 Pz.	€ 137,25
SEAL SHELL FOR TUBE D. 100 MM LARGE 50 MM ING. EST. D.116 MM	00820018	Min. order 1 Pz.	€ 155,25
SEAL SHELL FOR TUBE D. 110 MM LARGE 50 MM ING. EST. D.130 MM	00820021	Min. order 1 Pz.	€ 177,75
SEAL SHELL FOR TUBE D. 125 MM LARGE 50 MM ING. EST. D.149 MM	00820023	Min. order 1 Pz.	€ 184,50
SEAL SHELL FOR TUBE D. 140 MM LARGE 50 MM ING. EST. D.168 MM	00820025	Min. order 1 Pz.	€ 213,75
SEAL SHELL FOR TUBE D. 160 MM LARGE 50 MM ING. EST. D.192 MM	00820027	Min. order 1 Pz.	€ 236,25
SEAL SHELL FOR TUBE D. 200 MM LARGE 50 MM ING. EST. D.240 MM	00820030	Min. order 1 Pz.	€ 297,00
SEAL SHELL UNIV. SCAT.4 PZ FOR TUBE UP TO DIAM. 100 MM 0,012 MC	00820040	Min. order 1 Pack.	€ 213,75
SEAL SHELL UNIV. SCAT.2 PZ FOR UP TO DIAM. 110 A DIAM. 160 MM 0,012 MC	00820050	Min. order 1 Pack.	€ 177,75

ADVIN STRIP EI120

ADVIN STRIP has an exclusively chemical functioning base in intumescence phenomenon.

ADVIN STRIP, infatti, in case of fire produces thermal insulant foam able to close the remaining gaps following the fusion of the fuel pipe. ADVIN STRIP is the new intumescence strip for the internal sealing of fuel pipe crossing in PVC, PEHD, ecc. In case of fire, in fact, fuel pipes burn and melt in few minutes leaving the gap free. The created weep represents a critical area capable of compromise the fire resistance of a wall or a firebreaker partitio. Thanks to the ADVIN STRIP use, the gap il varco is completely filled with insulating material in a few minutes, thanks to the effect of the intumescent material present that prevents any passage of flame. ADVIN STRIP is a compound made up of a strip of intumescent material Advinseal K that guarantees, during the fire and before the pipe completely melts, a complete closure of the crossing passage. ADVIN STRIP it must be wrapped around the pipe to protected and insterted in the gap between the pipe and the wall. The sealing of the external wall can be left free or closed with normal ceent mortar on both sides. ADVIN STRIP guarantees the same degree of protection regardless of the side of the wall where the fire breaks out. It is suitable for use on pipe: PVC, PE, PEHD up to an external diameter of 125 mm - PP up to diameter outside of 110 mm.



EI 120 - EN 1366-3 Thermoexpanding tapes for combustible pipes. (PVC, PE, PEHD etc.) Apply inside the wall

DESCRIPTION	CODE	QUANTITY	PRICE
STRIP UNIV. EN 1366-3 DA D.040 A 075 MM 1000X100X08 SCAT. DA 12 PZ. 0,011 MC	00880200	Ordine min. 1 Conf.	€ 48,37
STRIP UNIV. EN 1366-3 DA D.090 A 125 MM 1000X100X12 SCAT. DA 08 PZ. 0,011 MC	00880210	Ordine min. 1 Conf.	€ 79,87