



EMME ANTINCENDIO S.r.l.  
www.emme-italia.com

25124-1

12 Kg Potassium Sulphate Powder FIRE EXTINGUISHER



- **CYLINDER**  
Alloy steel, 3 pieces drawing, with clip, epoxy polyester powder painting, Red Ral 3000.
- **EXTINGUISHING AGENT**  
BC Powder - Potassium Sulphate.
- **PROPELLANT**  
Fire extinguisher pressurized at moment of use with gr. 225 CO<sub>2</sub> cartridge.
- **VALVE**  
M. 74x2, lightweight aluminum alloy, activation with percussion method.
- **USE**  
B C fire rating (flammable liquids, flammable gas).
- **BRACKET**  
Wall-mounted bracket for fire extinguisher with clip, red painting, in standard equipment.

Note: image is for illustrative purpose only, the product purchased can has some differences

12 Kg potassium sulphate powder fire extinguisher, pressurized at moment of use, temperature range from -30°C to +60°C, manufactured in accordance to EN 3-7, certified according to the directive for pressure equipment PED 2014/68/EU.

Quality Product certification guaranteed by Bureau Veritas Italia.

Suitable for use on fire involving electrical voltages up to 1'000 V, at a distance of 1 mt.

APPROVED/CERTIFIED FIRE EXTINGUISHER:



FIRE RATING :



© REPRODUCTION IS PROHIBITED

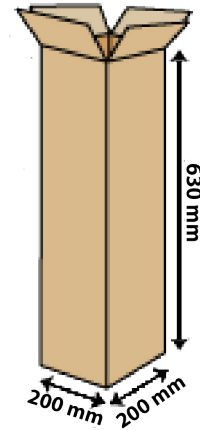
## 12 Kg Potassium Sulphate Powder FIRE EXTINGUISHER

### TECHNICAL SPECIFICATIONS

FIRE RATING	233 B C
EXTINGUISHING AGENT	EPBC 2051 BC powder - Potassium Sulphate
PROPELLANT	Internal cartridge with gr. 225 CO <sub>2</sub>
TEMPERATURE RANGE	-30°C / +60°C
NOMINAL CHARGE	12 Kg
FULL WEIGHT	~ 18,7 Kg
DIMENSIONS	Height 610-625 mm Diameter 182 mm
DISCHARGE TIME	30 sec.
VALVE TIGHTENING TORQUE	Minimum 40 Nm, Maximum 60 Nm
CYLINDER PRESSURE TEST	PT 30 bar
CYLINDER VOLUME	12,2 L.
SAFETY VALVE	Set 24 +/- 2 bar
CYLINDER MATERIAL	Alloy steel
EXTERNAL/INTERNAL TREATMENT	Sandblast and epoxypolyestere powder painting, Red Ral 3000 colour

### PACKAGING

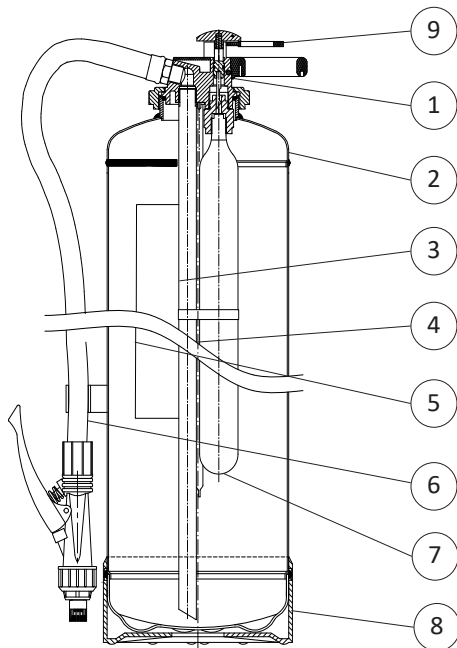
STANDARD : maximum 30 pieces on pallet 100x120x75(h) cm in single packaging



*Note: the packaging quantities and measurements are indicative and can be subject at changes*

### MAINTENANCE AND INSTALLATION

For outdoor or marine installation is recommended to protect the fire extinguisher with cover or box. Maintenance according to the rules in use in utilization country.



### SPARE PARTS

NUMBER	DESCRIPTION	CODE
1	Valve M. 74x2	3008-1
2	Cylinder	3012
3	PVC dip tube	3035
4	Pressurization dip tube	3035-1
5	Label	3017-3
6	Hose	3014-2
7	gr. 225 CO <sub>2</sub> cartridge	3032
8	PELD base	3028
9	Safety pin	0285-1
	Safety pin seal	0285
	BC powder - Potassium Sulphate (25 Kg recharge)	2051

File name	Code	Date	Rele.	Check	Rev.	Pag.
ds_25124-1	25124-1	30/10/17	M.R		1	2

### EMME ANTINCENDIO S.r.l

Via del Molino, 40 - 52010 Corsalone (AR) - Italy  
 info@emme-italia.com - Tel. +39.0575.511320  
 Others Emme Antincendio s.r.l. warehouses in Italy : Milano - Padova - Reggio Emilia  
 P.IVA/ C.F. 11208251006 - R.E.A. FI-632545