



# 23052-7

## 5 Kg CO<sub>2</sub> FIRE EXTINGUISHER



- CYLINDER  
Alloy steel, epoxypolyestere powder painting, Red Ral 3000.
- EXTINGUISHING AGENT  
Carbon Dioxide 99,99%
- VALVE  
CPF M. 25x2, brass body, levers with red painting Ral 3000.
- USE  
B fire rating (flammable liquids)

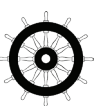
Note: image is for illustrative purpose only, the product purchased can has some differences

5 Kg CO<sub>2</sub> fire extinguisher, temperature range from -30°C to +60°C, manufactured in accordance to **UNI EN 3-7 (D.M. 7.1.2005)**, approved Marine Equipment Directive **MED 2014/90/EU**, certified according to the directive for pressure equipment PED 2014/68/EU.

Quality Product certification guaranteed by Bureau Veritas Italia.

Suitable for use on fire involving electrical voltages up to 1'000 V, at a distance of 1 mt.

APPROVED/CERTIFIED FIRE EXTINGUISHER:



**FIRE RATING :**



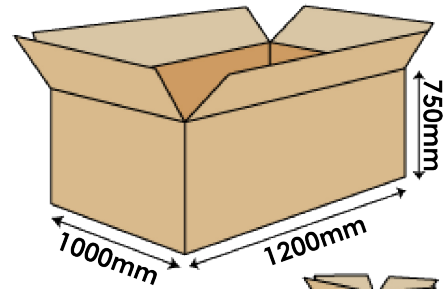
## 5 Kg CO<sub>2</sub> FIRE EXTINGUISHER

### TECHNICAL SPECIFICATIONS

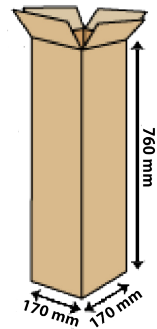
FIRE RATING	113 B
EXTINGUISHING AGENT	Carbon Dioxide 99,99%
TEMPERATURE RANGE	-30°C / +60°C
NOMINAL CHARGE	5 Kg
FULL WEIGHT	~ 13,8 Kg
DIMENSIONS	Height(base-valve) 750 mm Diameter 136 mm
DISCHARGE TIME	15 sec.
VALVE TIGHTENING TORQUE	Minimum 95 Nm, Maximum 130 Nm
CYLINDER PRESSURE TEST	PT 250 bar
CYLINDER VOLUME	7,5 L.
SAFETY VALVE	Set at 195 + 15/- 23 bar
CYLINDER MATERIAL	Alloy steel
EXTERNAL/INTERNAL TREATMENT	Sandblast and epoxy polyester powder painting, Red Ral 3000 colour

### PACKAGING

STANDARD : maximum 65 pieces for pallet  
(65 pieces for box, max 1 box for pallet)  
Pallet dimensions 100x120x100(h) cm



Note: the packaging quantities and measurements are indicative and can be subject at changes

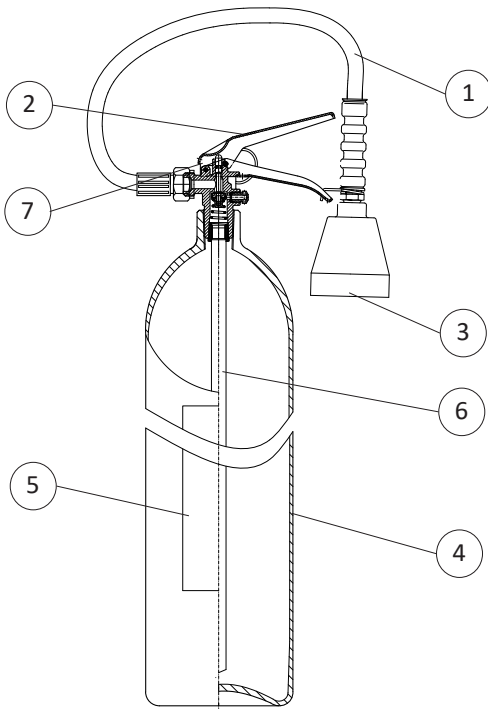


SINGLE PACKAGING  
ON REQUEST

### MAINTENANCE AND INSTALLATION

For outdoor or marine installation is recommended to protect the fire extinguisher with cover or box. Maintenance according to the rules in use in utilization country.

### SPARE PARTS



NUMBER	DESCRIPTION	CODE
1	Hose SAE 100 R1 T ½"	0294
2	Valve M. 25x2	0213C-1
3	Horn	0332-42
4	Cylinder	0110-1
5	Label	0064-7
6	Aluminum dip tube	0160-1
7	Safety pin	0284
	Safety pin seal	0285
	Safety valve	0262C
OPTIONAL	Iron marine bracket red painting	0319
OPTIONAL	Iron ring wall-mounted, red painting, Europe model	1907-2

File name	Code	Date	Rele.	Check	Rev.	Pag.
ds_23052-7	23052-7	16/05/23	M.R	MR	2	2

**EMME ANTINCENDIO S.r.l**  
Via del Molino, 40 - 52010 Corsalone (AR) - Italy  
info@emme-italia.com - Tel. +39.0575.511320

Others Emme Antincendio s.r.l. warehouses in Italy : Milano - Padova - Reggio Emilia  
P.IVA/ C.F. 11208251006 - R.E.A. FI-632545