



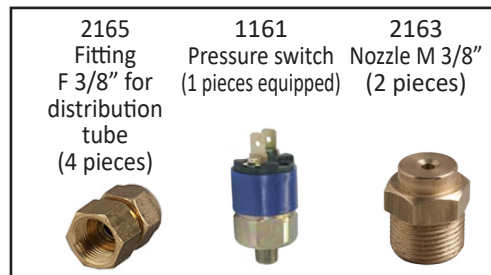
EMME ANTINCENDIO S.r.l.

www.emme-italia.com

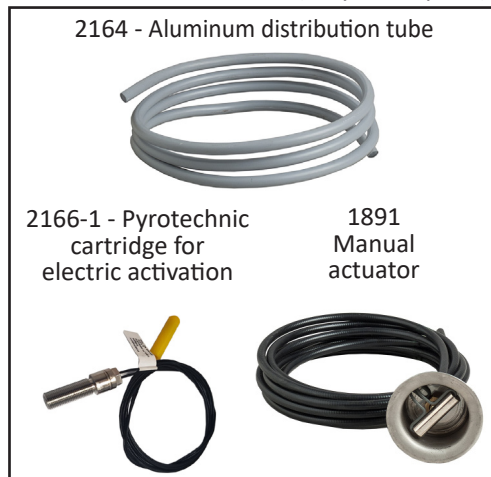
## AUTOMATIC DEVICE "MARE SERIES" 3-6-12 Kg Gas HFC



### Included accessories



### Not Included accessories (only on request)



- **CYLINDER**  
Alloy steel, epoxy polyester powder painting, Red Ral 3000.
- **EXTINGUISHING AGENT**  
Gas HFC 227 ea.
- **PROPELLANT**  
Nitrogen (N<sub>2</sub>).
- **VALVE**  
Automatic M. 30x1.5, set 93 °C.  
(with bulb in standard equipment)  
Supplied with pressure switch set at 11 bar.
- **USE**  
A B fire rating  
(solid materials, flammable liquids).
- **ACTIVATION**  
- Automatic when bulb temperature is reached. On request (see optional):  
- with manual actuator with handle;  
- with pyrotechnic cartridge for electric activation.
- **BRACKET**  
Wall-mounted in standard equipment.

Note for pressure switch: The pressurized device is "normally open".  
The pressure switch alone, not installed on the device, is "normally closed".

Note: image is for illustrative purpose only, the product purchased can have some differences

Gas HFC Automatic Device, Mare Series, available charge 3, 6, 12 Kg, temperature range from -30°C to +60°C, certified according to the directive for pressure equipment PED 2014/68/EU. RINA certified, ISO 9094:2015. Quality Product certification guaranteed by Bureau Veritas Italia. Suitable for use on fire involving electrical voltages up to 1'000 V, at a distance of 1 mt.

### AVAILABLE VERSIONS

| CODE           | GAS HFC QUANTITY | DIMENSIONS (without bracket)<br>H x L max x Ø cylinder (mm) | M3/Kg  | C %<br>(concentration gas in volume) | DISTRIBUTION TUBE LENGTH | DISCHARGE TIME | COVERAGE AREA |
|----------------|------------------|---|--------|--------------------------------------|--------------------------|----------------|---------------|
| <b>11039-2</b> | Kg 3             | 440 +/-5 x 140 +/-3 x 130 +/-1                              | 0,1373 | 7,611                                | recommended 5 m          | 20 sec.        | 5 c.m.        |
| <b>11069-2</b> | Kg 6             | 490 +/-5 x 160 +/-3 x 160 +/-3                              | 0,1373 | 7,611                                | recommended 5 m          | 35 sec.        | 10 c.m.       |
| <b>11129-2</b> | Kg 12            | 590 +/-5 x 190 +/-3 x 190 +/-3                              | 0,1373 | 7,611                                | recommended 8 m          | 60 sec.        | 20 c.m.       |

APPROVED/CERTIFIED DEVICE:



**FIRE RATING**



# AUTOMATIC DEVICE "MARE SERIES"

## 3-6-12 Kg Gas HFC

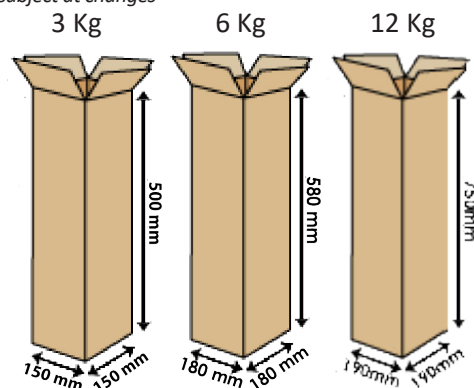
### TECHNICAL SPECIFICATIONS

|                             |  |
|-----------------------------|--|
| FIRE RATING                 | A B  |
| EXTINGUISHING AGENT         | Gas HFC 227 ea   |
| PROPELLANT                  | Nitrogen (N <sub>2</sub> ), 15 Bar at 20 °C                        |
| TEMPERATURE RANGE           | -30°C / +60°C  |
| CYLINDER PRESSURE TEST      | PT 27 bar  |
| VALVE TIGHTENING TORQUE     | Between 40 and 50 Nm   |
| CYLINDER MATERIAL           | Alloy steel  |
| EXTERNAL/INTERNAL TREATMENT | Sandblast and epoxy polyester powder painting, Red Ral 3000 colour |

### PACKAGING

STANDARD : single packaging

*Note: the packaging quantities and measurements are indicative and can be subject to changes*



### MAINTENANCE AND INSTALLATION

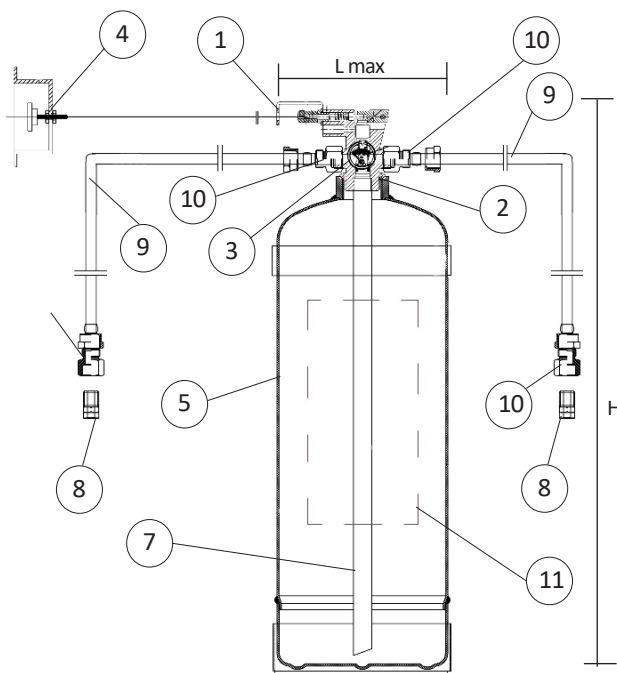
Install the system in vertical position using the supplied bracket. Place the gas distribution pipe and fix the nozzles. Remove the safety pin to make operating system.

Recommended maintenance : every 6 months check pressure; every 72 months replace extinguishing agent; test after 144 months of production date.

### SPARE PARTS

| N.           | DESCRIPTION   | CODE                       |
|--------------|---|----------------------------|
| 1            | Valve M. 30x1.5 with thermosensible bulb for activation at 93°C | 1906                       |
| 2            | Valve o-ring  | 0201                       |
| 3            | Pressure gauge  | 0272                       |
| 4 - OPTIONAL | Manual actuator in control box(cable 10 m)                      | 1891                       |
| 5            | Cylinder 3 Kg<br>Cylinder 6 Kg<br>Cylinder 12 Kg                | 0103<br>1848K<br>0105-8    |
| 6            | Iron bracket 3 Kg<br>Iron bracket 6 Kg<br>Iron bracket 12 Kg    | 0315-1<br>0316-1<br>0317-1 |
| 7            | PVC dip tube 3 Kg<br>PVC dip tube 6 Kg<br>PVC dip tube 12 Kg    | 0153<br>1859<br>0155-2     |
| 8            | Brass dispensing nozzle M 3/8"                                  | 2163                       |
| 9 - OPTIONAL | Aluminum distribution tube Ø 10, PVC coated                     | 2164                       |
| 10           | Fitting F 3/8" for distribution tube                            | 2165                       |
| OPTIONAL     | Pyrotechnic cartridge   | 2166-1                     |
| 11           | Label   | 2064                       |
|              | Pressure switch 1/8" for valve, set at 11 bar                   | 1161                       |

EXAMPLE OF AUTOMATIC DEVICE INSTALLATION



*In new installations, the devices for to be operative need at least of this components: 2164; 2165; 2163*

#### EMME ANTINCENDIO S.r.l

Via del Molino, 40 - 52010 Corsalone (AR) - Italy  
info@emme-italia.com - Tel. +39.0575.511320  
Others Emme Antincendio s.r.l. warehouses in Italy : Milano - Padova - Roma  
P.IVA/ C.F. 11208251006 - R.E.A. FI-632545

| File name      | Code | Date     | Rele. | Check | Rev. | Pag. |
|----------------|------|----------|-------|-------|------|------|
| ds_series mare | -    | 08/08/23 | M.R   | MR    | 1    | 2    |