

# Technical Manual



www.emme-italia.com

Via del Molino, 40 - 52010 Corsalone (AR) - Italy - info@emme-italia.com - Tel. +39.0575.511320  
 Other branches in Italy : Milano - Padova - Roma - Palermo - Cagliari - P.IVA/ C.F. 11208251006 - R.E.A. AR-159122

## 17304 - Lazio 18282 : Wheeled Fire Extinguisher, 30 Kg Carbon Dioxide



- **CYLINDER**  
Alloy steel, external powder painting, color Red Ral 3000.
- **EXTINGUISHING AGENT**  
Carbon Dioxide 99,99 % (CO<sub>2</sub>) .
- **VALVE**  
W 28.8, brass body, handwheel red painting, with protection for valve.
- **USE**  
Fire Rating class B (flammable liquids).
- **BRACKET**  
Frame on wheels, red painting Ral 3000.

Note: image is for illustrative purpose only, the product purchased can has some difference

30 Kg Carbon Dioxide Fire Extinguisher, temperature range from -30°C to +60°C, manufactured in accordance to UNI EN 1866-1 (D.M. 6.3.92), certified according to the directive for pressure equipment PED 2014/68/EU. Quality Product certification guaranteed by Bureau Veritas Italia. Suitable for use on fire involving electrical voltages up to 1'000 V, at a minimum distance of 1 meter.

APPROVED/CERTIFIED FIRE EXTINGUISHER:



For certified MED 2014/90/EU  
 version : cod. 14304



**FIRE RATING :**



233

REPRODUCTION IS PROHIBITED

File name	Type of document	Fire Extinguisher Model	Date	Rele.	Check	Rev.	Pag.
17304_Technical manual	Technical manual	17304 Lazio 18282	29/07/2024	M.R		2	1/3

# 17304 – Lazio 18282 : Wheeled Fire Extinguisher, 30 Kg Carbon Dioxide

- **INSTALLATION** The installation and the control and/or recovery operations of fire extinguisher must be performed by qualified technician and in accordance to current regulations on the matter.
- **USE**
- **MAINTENANCE** The technician will carry out annual inspection for check the charge and after all other steps planned during the fire extinguisher useful life

Any tampering or operation performed by unqualified technician, void the product warranty.

If possible, is recommended to place fire extinguisher in a dry place, protected from atmospheric agents.

**For installation, use and maintenance follow as indicated in file : ECC\_1\_ENG**

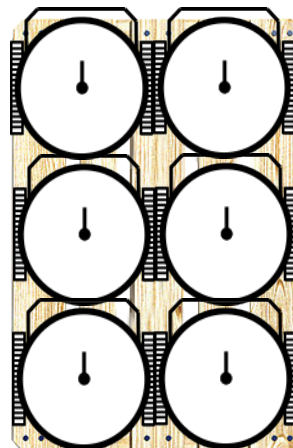
## TECHNICAL SPECIFICATIONS

FIRE RATING	233 B
EXTINGUISHING AGENT	Carbon Dioxide 99,99 % (CO <sub>2</sub> )
TEMPERATURE RANGE	-30°C / +60°C
NOMINAL CHARGE	30 Kg
FULL WEIGHT	~ 84 Kg
FRAME WEIGHT	~ 8,20 Kg (with wheels)
DIMENSIONS	Height 1320 +/- 10 mm Width 485 +/- 10 mm Depth (max size) 440 +/- 10 mm
DISCHARGE TIME	~ 28,6 seconds
CYLINDER PRESSURE TEST	PT 300 bar
CYLINDER VOLUME	40 L + 5%
SAFETY DEVICE	Set between 230 and 245 bar
CYLINDER MATERIAL	Steel alloy
TREATMENT	Outside: Sandblast and powder painting, Ral 3000

## PACKAGING

(Note: quantities and measurements are indicative and can be subject at changes)

STANDARD  
Maximum nr. 6 pieces for pallet  
Pallet dimensions 100x120x145(h) cm

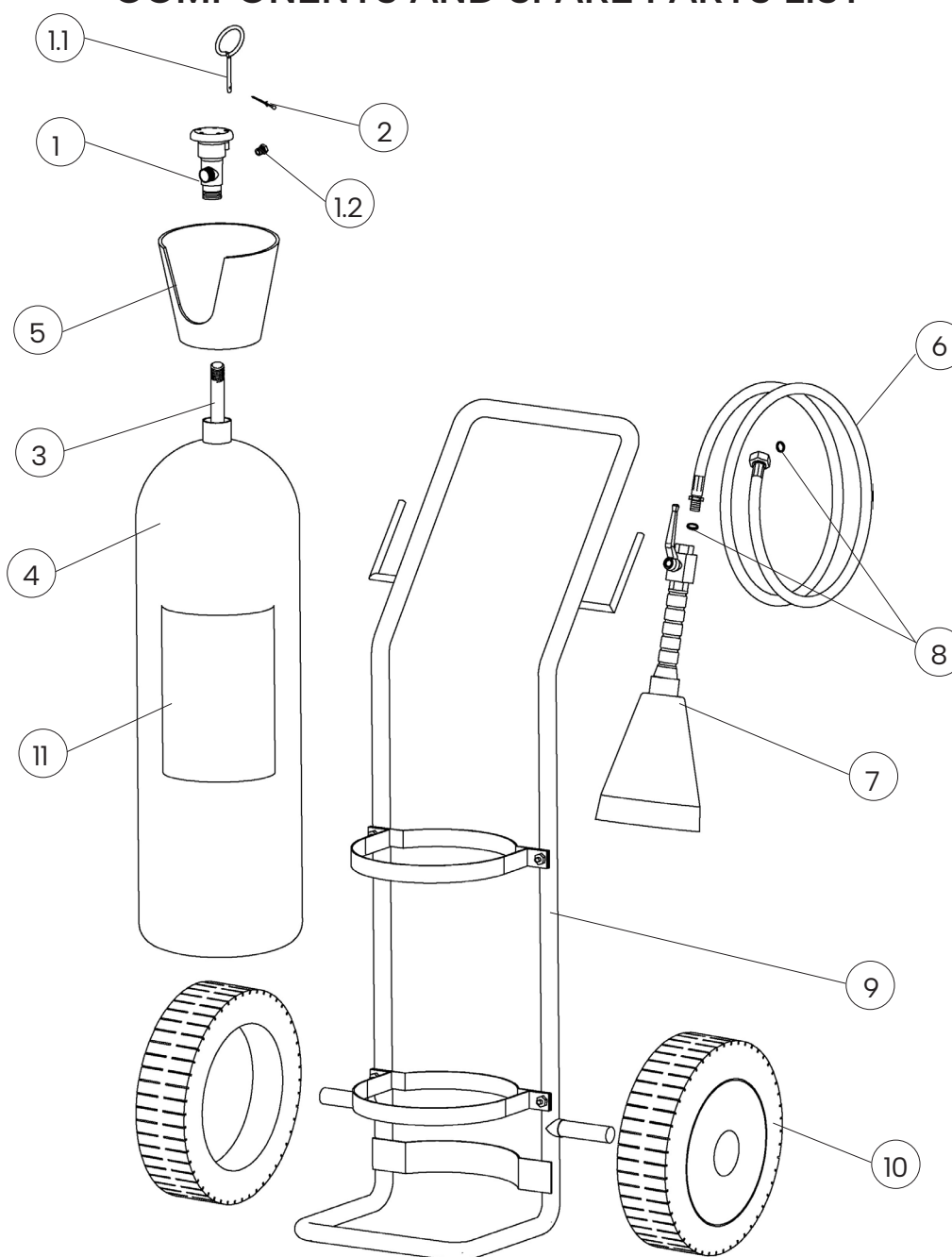


## TRANSPORT DISPOSAL

Land transport : Exemption for the purposes of ADR disposal 594  
Ship Transport : IMDG Code – UN 1044 class 2.2 Fire Extinguishers

File name	Type of document	Fire Extinguisher Model	Date	Rele.	Check	Rev.	Pag.
17304_Technical manual	Technical manual	17304 Lazio 18282	29/07/2024	M.R		2	2/3

## COMPONENTS AND SPARE PARTS LIST



NUM.	DESCRIPTION	CODE
1	Handwheel valve W 28.8	11531
1.1	Safety pin	0282-1
1.2	Safety device	n.a.
2	Safety pin seal	0285
3	Dip tube aluminum alloy	0167-1
4	Cylinder	18299
5	Protective cap for valve	0096

NUM.	DESCRIPTION	CODE
6	Hose	18425
7	Dispensing nozzle (complete of ball valve with control lever)	0336
8	Nylon gasket	0204
9	Frame	0123
10	Wheel + stopwheel (diam. 300mm)	0124
11	Label 17304	18385
	Label 14304	18385M

The spare part at number 1 includes already others components 1.1 and 1.2

"n.a." mean that the component is not available as single spare part

File name	Type of document	Fire Extinguisher Model	Date	Rele.	Check	Rev.	Pag.
17304_Technical manual	Technical manual	17304 Lazio 18282	29/07/2024	M.R		2	3/3