

Technical Manual



www.emme-italia.com

Via del Molino, 40 - 52010 Corsalone (AR) - Italy - info@emme-italia.com - Tel. +39.0575.511320
 Other branches in Italy : Milano - Padova - Roma - Palermo - Cagliari - P.IVA/ C.F. 11208251006 - R.E.A. AR-159122

17504 - Lazio 18284 : Wheeled Fire Extinguisher, 50 Kg Carbon Dioxide



Note: image is for illustrative purpose only, the product purchased can has some difference

- **CYLINDER**
Alloy steel, external powder painting, color Red Ral 3000.
- **EXTINGUISHING AGENT**
Carbon Dioxide 99,99 % (CO₂) .
- **VALVE**
W 28.8, brass body, handwheel red painting, with protection for valve.
- **USE**
Fire Rating class B (flammable liquids).
- **BRACKET**
Frame on wheels, red painting Ral 3000.

REPRODUCTION IS PROHIBITED

50 Kg Carbon Dioxide Fire Extinguisher, temperature range from -30°C to +60°C, manufactured in accordance to **UNI EN 1866-1 (D.M. 6.3.92)**, certified according to the directive for pressure equipment PED 2014/68/EU.

Quality Product certification guaranteed by Bureau Veritas Italia.

Suitable for use on fire involving electrical voltages up to 1'000 V, at a minimum distance of 1 meter.

APPROVED/CERTIFIED FIRE EXTINGUISHER:



For certified MED 2014/90/EU
version : cod. 14504



FIRE RATING :



233

| File name | Type of document | Fire Extinguisher Model | Date | Rele. | Check | Rev. | Pag. |
|------------------------|------------------|-------------------------|------------|-------|-------|------|------|
| 17504_Technical manual | Technical manual | 17504 Lazio 18284 | 27/09/2024 | M.R | | 2 | 1/3 |

17504 – Lazio 18284 : Wheeled Fire Extinguisher, 50 Kg Carbon Dioxide

• INSTALLATION

The installation and the control and/or recovery operations of fire extinguisher must be performed by qualified technician and in accordance to current regulations on the matter.

• USE

• MAINTENANCE

The technician will carry out annual inspection for check the charge and after all other steps planned during the fire extinguisher useful life

Any tampering or operation performed by unqualified technician, void the product warranty.

If possible, is recommended to place fire extinguisher in a dry place, protected from atmospheric agents.

For installation, use and maintenance follow as indicated in file : ECC_1_ENG

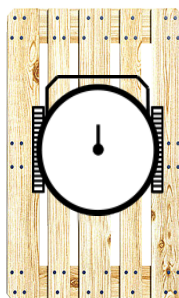
TECHNICAL SPECIFICATIONS

| | |
|------------------------|--|
| FIRE RATING | 233 B |
| EXTINGUISHING AGENT | Carbon Dioxide 99,99 % (CO ₂) |
| TEMPERATURE RANGE | -30°C / +60°C |
| NOMINAL CHARGE | 50 Kg |
| FULL WEIGHT | ~ 145 Kg |
| FRAME WEIGHT | ~ 17,10 Kg (with wheels) |
| DIMENSIONS | Height 1270 +/- 10 mm Width 580 +/- 10 mm Depth (max size) 1425 +/- 10 mm |
| DISCHARGE TIME | ~ 48,9 seconds |
| CYLINDER PRESSURE TEST | PT 300 bar |
| CYLINDER VOLUME | 68 L + 5% |
| SAFETY DEVICE | Set between 230 and 245 bar |
| CYLINDER MATERIAL | Steel alloy |
| TREATMENT | Outside: Sandblast and powder painting, Ral 3000 |

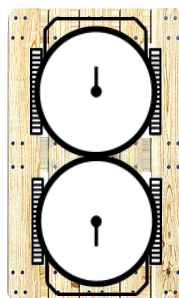
PACKAGING

(Note: quantities and measurements are indicative and can be subject at changes)

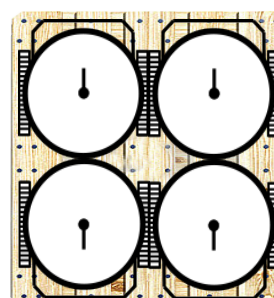
Nr. 1 pieces on pallet
80x180x135(h) cm



Nr. 2 pieces on pallet
100x120x190(h) cm



Nr. 4 pieces on pallet
165x170x190(h) cm



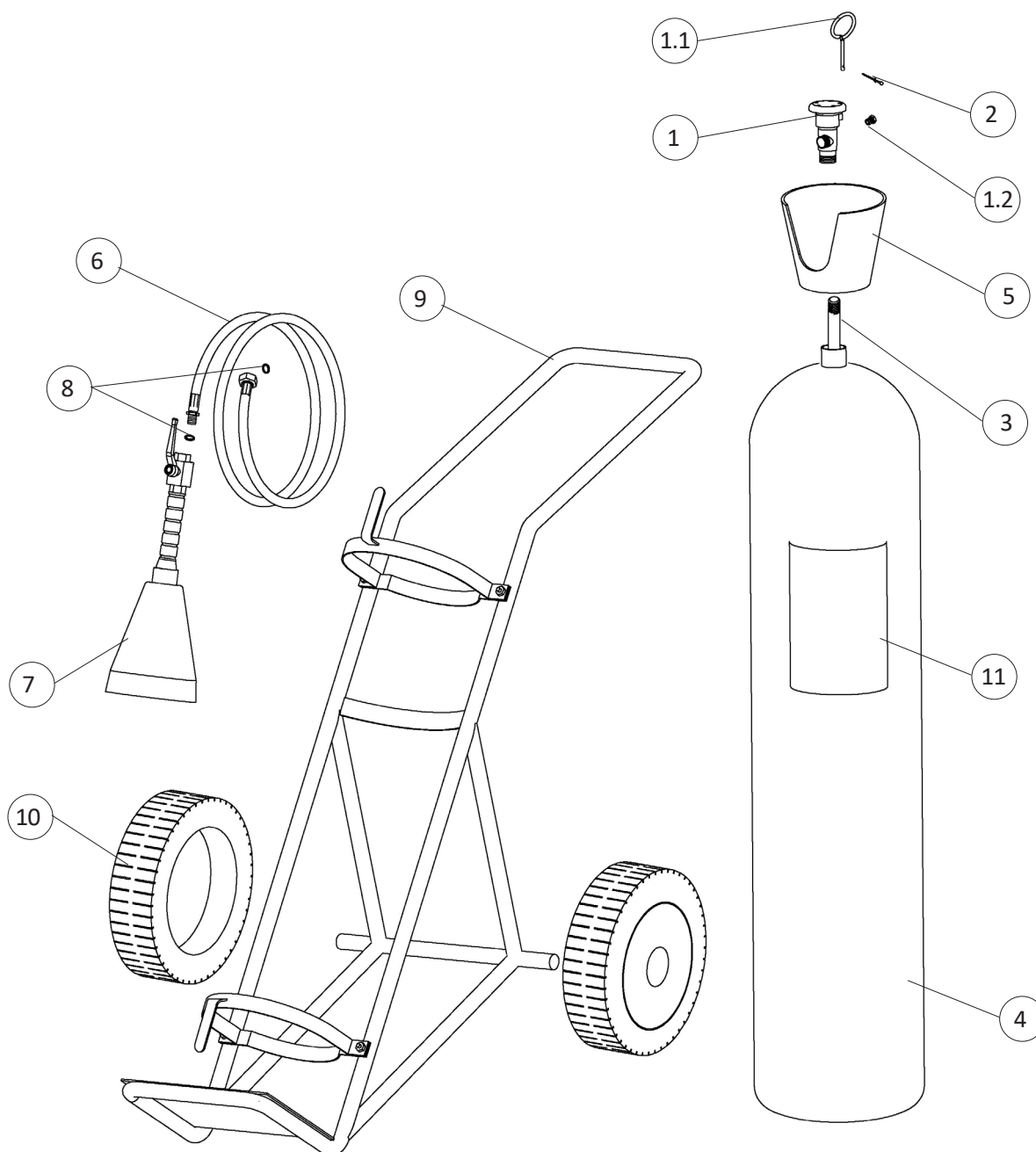
TRANSPORT DISPOSAL

Land transport : Exemption for the purposes of ADR disposal 594
Ship Transport : IMDG Code – UN 1044 class 2.2 Fire Extinguishers

| File name | Type of document | Fire Extinguisher Model | Date | Rele. | Check | Rev. | Pag. |
|------------------------|------------------|-------------------------|------------|-------|-------|------|------|
| 17504_Technical manual | Technical manual | 17504 Lazio 18284 | 27/09/2024 | M.R | | 2 | 2/3 |

17504 - Lazio 18284 : Wheeled Fire Extinguisher, 50 Kg Carbon Dioxide

COMPONENTS AND SPARE PARTS LIST



| NUM. | DESCRIPTION | CODE |
|------|--------------------------|---------|
| 1 | Handwheel valve W 28.8 | 11531 |
| 1.1 | Safety pin | 0282-1 |
| 1.2 | Safety device | n.a. |
| 2 | Safety pin seal | 0285 |
| 3 | Dip tube aluminum alloy | 18412-1 |
| 4 | Cylinder | 18333 |
| 5 | Protective cap for valve | 0096 |
| 6 | Hose | 18425 |

| NUM. | DESCRIPTION | CODE |
|------|---|---------|
| 7 | Dispensing nozzle (complete of ball valve with control lever) | 0336 |
| 8 | Nylon gasket | 0204 |
| 9 | Frame | 18487 |
| 10 | Wheel (diam. 400mm) | 0125 |
| | Thick washer | 2148-10 |
| | Cotter pin stop-wheel | 9443 |
| 11 | Label 17504 | 18387 |
| | Label 14504 | 18387M |

The spare part at number 1 includes already others components 1.1 and 1.2
 "n.a." mean that the component is not available as single spare part

| File name | Type of document | Fire Extinguisher Model | Date | Rele. | Check | Rev. | Pag. |
|------------------------|------------------|-------------------------|------------|-------|-------|------|------|
| 17504_Technical manual | Technical manual | 17504 Lazio 18284 | 27/09/2024 | M.R | | 2 | 3/3 |