

Technical Manual



www.emme-italia.com

Via del Molino, 40 - 52010 Corsalone (AR) - Italy - info@emme-italia.com - Tel. +39.0575.511320
 Other branches in Italy : Milano - Padova - Roma - Palermo - Cagliari - P.IVA/ C.F. 11208251006 - R.E.A. AR-159122

17103-1 - Lazio 18272 : Wheeled Fire Extinguisher, 10 Kg Carbon Dioxide



- **CYLINDER**
Nr. 2 steel alloy cylinder 5kg , external powder painting, color Red Ral 3000.
- **EXTINGUISHING AGENT**
Carbon Dioxide 99,99 % (CO₂) .
- **VALVE**
M. 25x2, brass body, handwheel red painting, with protection for valve.
- **USE**
Fire Rating class B (flammable liquids).
- **BRACKET**
Frame on wheels, red painting Ral 3000.

Note: image is for illustrative purpose only, the product purchased can has some difference

10 Kg Carbon Dioxide Fire Extinguisher, temperature range from -30°C to +60°C, manufactured in accordance to UNI EN 1866-1 (D.M. 6.3.92), certified according to the directive for pressure equipment PED 2014/68/EU. Quality Product certification guaranteed by Bureau Veritas Italia. Suitable for use on fire involving electrical voltages up to 1'000 V, at a minimum distance of 1 meter.

APPROVED/CERTIFIED FIRE EXTINGUISHER:



For certified MED 2014/90/EU
 version : cod. 14103-1



FIRE RATING :



144

REPRODUCTION IS PROHIBITED

File name	Type of document	Fire Extinguisher Model	Date	Rele.	Check	Rev.	Pag.
17103-1_Technical manual	Technical manual	17103-1	29/07/2024	M.R		2	1/3

17103-1 – Lazio 18272 : Wheeled Fire Extinguisher, 10 Kg Carbon Dioxide

- **INSTALLATION** The installation and the control and/or recovery operations of fire extinguisher must be performed by qualified technician and in accordance to current regulations on the matter.
- **USE**
- **MAINTENANCE** The technician will carry out annual inspection for check the charge and after all other steps planned during the fire extinguisher useful life

Any tampering or operation performed by unqualified technician, void the product warranty.

If possible, is recommended to place fire extinguisher in a dry place, protected from atmospheric agents.

For installation, use and maintenance follow as indicated in file : ECC_1_ENG

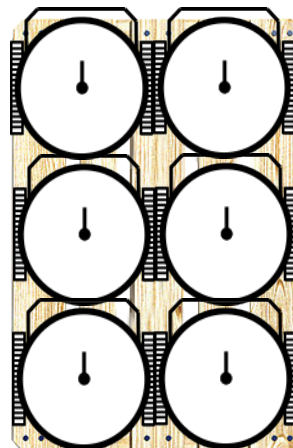
TECHNICAL SPECIFICATIONS

FIRE RATING	144 B
EXTINGUISHING AGENT	Carbon Dioxide 99,99 % (CO ₂)
TEMPERATURE RANGE	-30°C / +60°C
NOMINAL CHARGE	10 Kg
FULL WEIGHT	~ 36 Kg
FRAME WEIGHT	~ 7,60 Kg (with wheels)
DIMENSIONS	Height 1100 +/- 10 mm Width 470 +/- 10 mm Depth (max size) 620 +/- 10 mm
DISCHARGE TIME	~ 16 seconds
CYLINDER PRESSURE TEST	PT 250 bar
CYLINDER VOLUME	7,5 L (x 2)
SAFETY DEVICE	Set at 195 +/-10 bar
CYLINDER MATERIAL	Steel alloy
TREATMENT	Outside: Sandblast and powder painting, Ral 3000

PACKAGING

(Note: quantities and measurements are indicative and can be subject at changes)

STANDARD
Maximum nr. 6 pieces for pallet
Pallet dimensions 100x120x120(h) cm

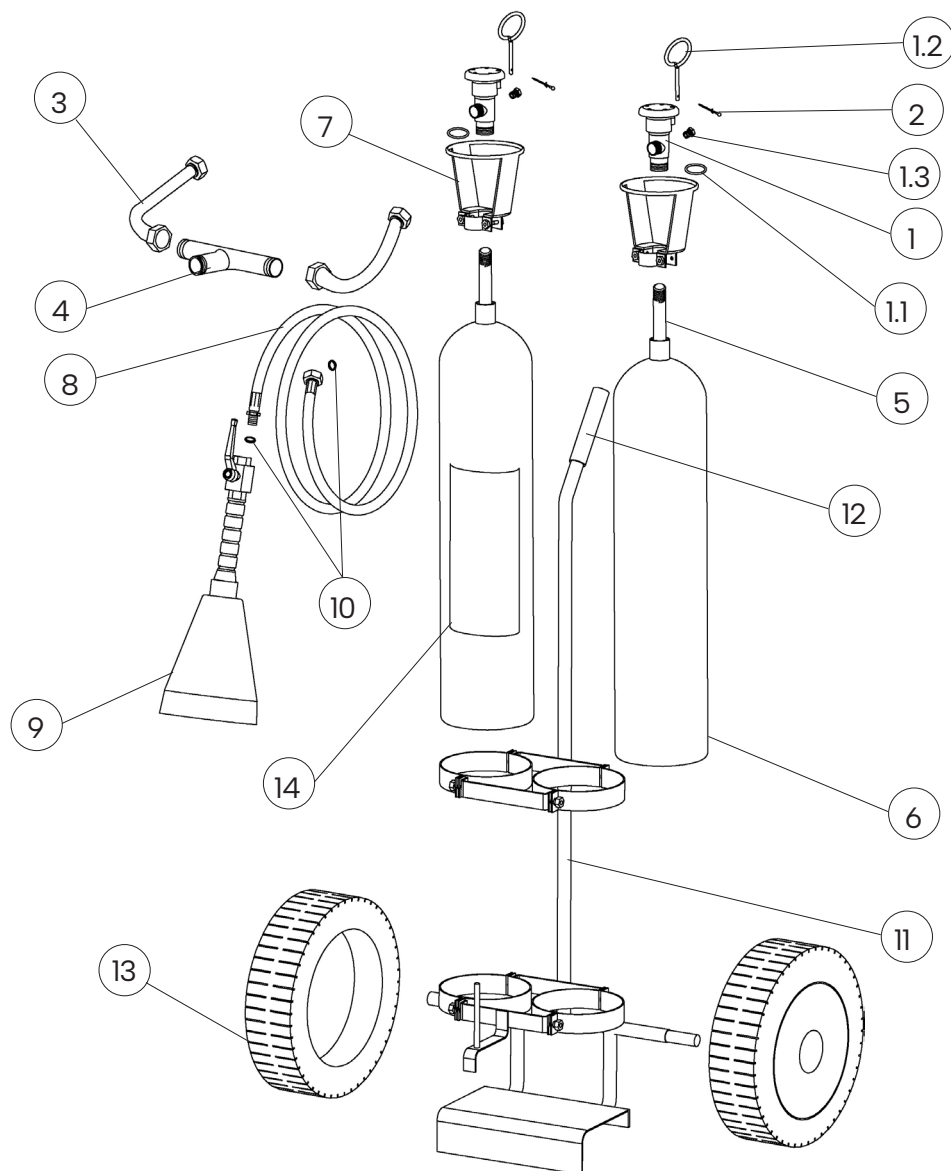


TRANSPORT DISPOSAL

Land transport : Exemption for the purposes of ADR disposal 594
Ship Transport : IMDG Code – UN 1044 class 2.2 Fire Extinguishers

File name	Type of document	Fire Extinguisher Model	Date	Rele.	Check	Rev.	Pag.
17103-1_Technical manual	Technical manual	17103-1	29/07/2024	M.R		2	2/3

COMPONENTS AND SPARE PARTS LIST



NUM.	DESCRIPTION	CODE
1	Handwheel valve M. 25x2	0222-3
1.1	O-ring valve	0202
1.2	Safety pin	0282-1
1.3	Safety device	n.a.
2	Safety pin seal	0285
3	Short hose for "T" connector	2605-1
4	"T" connector with 3 exit	18492
5	Dip tube aluminum alloy	0160-5
6	Cylinder	0110-1
7	Protective cap for valve	8623-1

NUM.	DESCRIPTION	CODE
8	Hose	1828
9	Dispensing nozzle (complete of ball valve with control lever)	0336
10	Nylon gasket	0204
11	Frame	18488-1
12	Frame grip knob	0097
13	Wheel + stopwheel (diam. 300mm)	0124
14	Label 17103-1	18383
	Label 14103-1	18383M

The spare part at number 1 includes already others components from 1.1 to 1.3

"n.a." mean that the component is not available as single spare part

File name	Type of document	Fire Extinguisher Model	Date	Rele.	Check	Rev.	Pag.
17103-1_Technical manual	Technical manual	17103-1	29/07/2024	M.R		2	3/3