

Technical Manual



www.emme-italia.com

Via del Molino, 40 - 52010 Corsalone (AR) - Italy - info@emme-italia.com - Tel. +39.0575.511320
 Other branches in Italy : Milano - Padova - Roma - Palermo - Cagliari - P.IVA/ C.F. 11208251006 - R.E.A. AR-159122

18118-52 - PIEMONTE 18225 : Wheeled Fire Extinguisher, 100 Kg ABC Powder



Note: image is for illustrative purpose only, the product purchased can has some difference

- **CYLINDER**
In high-strength alloy steel, external powder painting Red Ral 3000.
- **EXTINGUISHING AGENT**
ABC Powder - MAP 40 %.
- **PROPELLANT**
Auxiliary pressure.
Fire extinguisher pressurized at moment of use with CO₂ external cylinder, complete of protection for valve).
- **CAP**
Brass 2".
- **USE**
A B C fire rating (solid materials, flammable liquids, flammable gas).
- **BRACKET**
Chassis on wheels, welded at the cylinder, red painting Ral 3000.

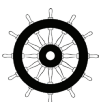
REPRODUCTION IS PROHIBITED

100 Kg powder wheeled fire extinguisher, auxiliary pressure, temperature range from -30°C to +60°C, manufactured in accordance to **UNI EN 1866-1**, approved Marine Equipment Directive **MED 2014/90/EU**, certified according to the directive for pressure equipment PED 2014/68/EU.

Quality Product certification guaranteed by Bureau Veritas Italia.

Suitable for use on fire involving electrical voltages up to 1'000 V, at a distance of 1 mt.

APPROVED/CERTIFIED FIRE EXTINGUISHER:



FIRE RATING :



File name	Type of document	Fire Extinguisher Model	Date	Rele.	Check	Rev.	Pag.
18118-52_ technical manual	technical manual	18118-52	11/03/2024	M.R		1	1/3

18118-52 - PIEMONTE 18225 : Wheeled Fire Extinguisher, 100 Kg ABC Powder

• **INSTALLATION**

The installation and the control and/or recovery operations of fire extinguisher must be performed by qualified technician and in accordance to current regulations on the matter.

• **USE**

• **MAINTENANCE**

The technician will carry out **annual inspection** for check the internal pressure and after all other steps planned during the fire extinguisher useful life.

Any tampering or operation performed by unqualified technician, void the product warranty.

If possible, is recommended to place fire extinguisher in a dry place, protected from atmospheric agents.

For installation, use and maintenance follow as indicated in file : CPA_1_ENG

TECHNICAL SPECIFICATIONS

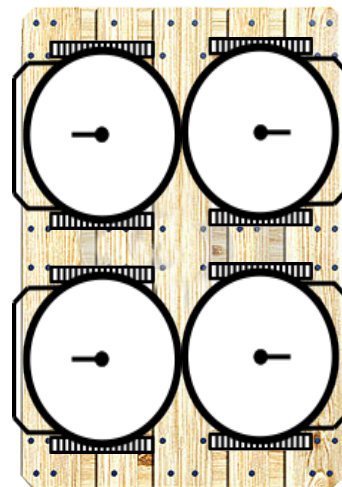
FIRE RATING	A IV B C
EXTINGUISHING AGENT	ABC Powder Emme Powder 40 - MAP 40 % (QFIRE 40 - Quimica 21, S.L.)
PROPELLANT	2,5 Kg CO ₂
TEMPERATURE RANGE	-30°C / +60°C
NOMINAL CHARGE	100 Kg
FULL WEIGHT	~ 175 Kg
DIMENSIONS	Height 1265 +/-10 mm ; Width 560 +/-10 mm Depth 540 +/-10 mm
DISCHARGE TIME	~ 61,7 seconds
CAP TIGHTENING TORQUE	Minimum 60 Nm, Maximum 70 Nm
CYLINDER PRESSURE TEST	PT 30 bar
CYLINDER VOLUME	102 L.
SAFETY DEVICE	Set between 21 and 26 bar
CYLINDER MATERIAL	Alloy steel
TREATMENT	Outside : Sandblast and powder painting Ral 3000

PACKAGING

(Note: quantities and measurements are indicative and can be subject at changes)

STANDARD

Maximum nr. 4 pieces for pallet
Pallet dimensions 100x120x145(h) cm



TRANSPORT

Land transport : Exemption for the purposes of ADR disposal 594

DISPOSAL

Ship Transport : IMDG Code - UN 1044 class 2.2 Fire Extinguishers

File name	Type of document	Fire Extinguisher Model	Date	Rele.	Check	Rev.	Pag.
18118-52_ technical manual	technical manual	18118-52	11/03/2024	M.R		1	2/3

COMPONENTS AND SPARE PARTS LIST

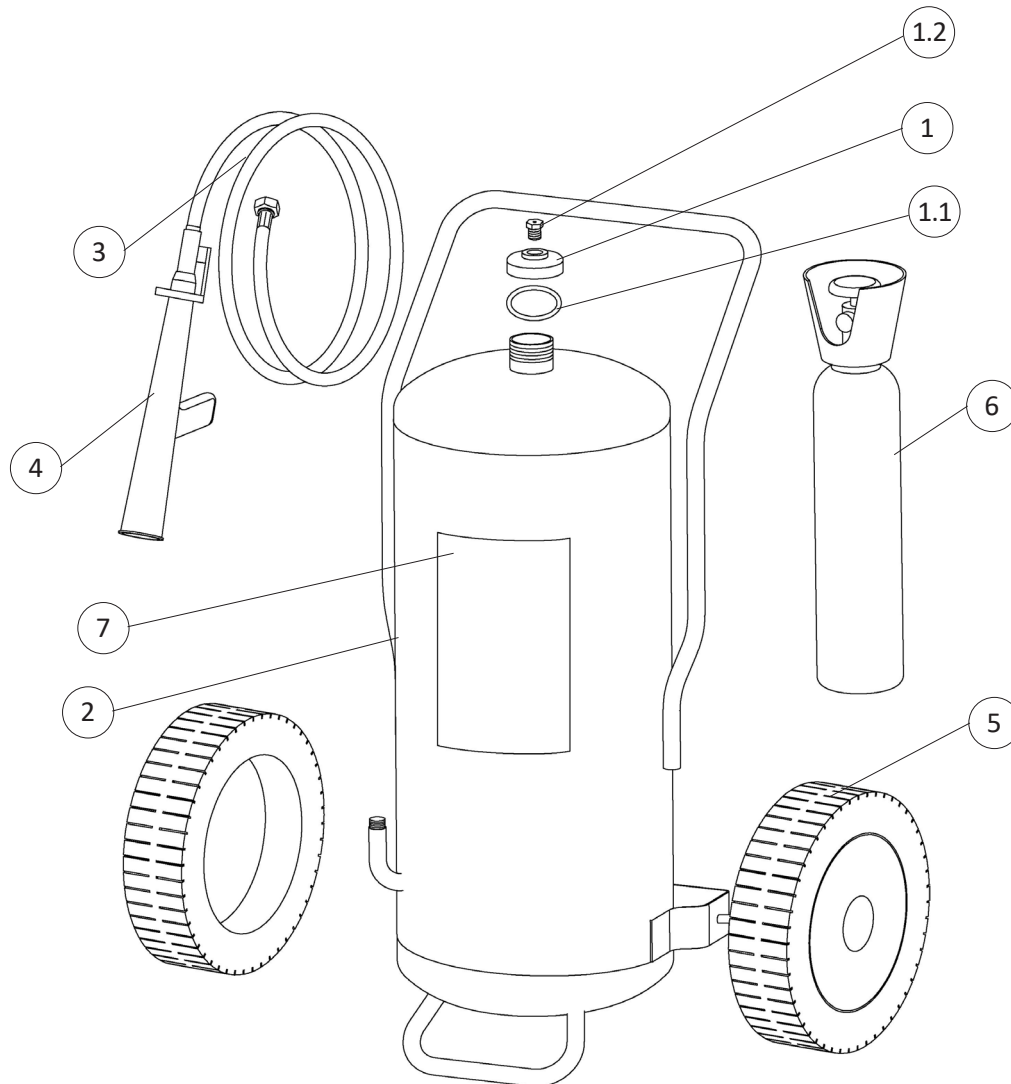


Table 1

NUM.	DESCRIPTION	CODE
1	Brass cap 2"	18463
1.1	O-ring cap	n.a.
1.2	Safety device	n.a.
2	Cylinder	18313
3	Hose	18422-1
4	Dispensing nozzle (complete of ball valve with control lever)	2181-1

NUM.	DESCRIPTION	CODE
5	Wheel + stopwheel (diam. 400mm)	0125
	Thick washer	2148-10
6	External cylinder CO ₂ , complete of protection for valve	n.a.
7	Label	18395

The spare part at number 1 includes already all others components 1.1 , 1.2
 "n.a." mean that the component is not available as single spare part

File name	Type of document	Fire Extinguisher Model	Date	Rele.	Check	Rev.	Pag.
18118-52_ technical manual	technical manual	18118-52	11/03/2024	M.R		0	3/3