

Technical Manual



www.emme-italia.com

Via del Molino, 40 - 52010 Corsalone (AR) - Italy - info@emme-italia.com - Tel. +39.0575.511320
 Other branches in Italy : Milano - Padova - Roma - Palermo - Cagliari - P.IVA/ C.F. 11208251006 - R.E.A. AR-159122

18256-1 : Wheeled Fire Extinguisher, 25 Kg ABC Powder



DISPENSING PISTOL WITH ROTATING CONNECTION

- **CYLINDER**
In high-strength alloy steel, external powder painting Red Ral 3000.
- **EXTINGUISHING AGENT**
ABC powder - MAP 20% .
- **PROPELLANT**
Dehumidified air or Nitrogen (N₂).
- **VALVE**
2" -F , brass body, lever with red painting Ral 3000.
- **USE**
A B C fire rating
(solid materials, flammable liquids, flammable gas.
- **BRACKET**
Chassis on wheels, welded at the cylinder, red painting Ral 3000.
- **DISPENSING PISTOL**
Body in plastic material.
The rotating connection allow an easy unroll of hose.

Note: image is for illustrative purpose only, the product purchased can has some difference

25 Kg powder wheeled fire extinguisher, temperature range from -30°C to +60°C, manufactured in accordance to UNI EN 1866-1 (D.M. 6.3.92), Marine Equipment Directive MED 2014/90/EU approved, certified according to the directive for pressure equipment PED 2014/68/EU.

Quality Product certification guaranteed by Bureau Veritas Italia.

Suitable for use on fire involving electrical voltages up to 1'000 V, at a minimum distance of 1 m.

APPROVED/CERTIFIED FIRE EXTINGUISHER:



REPRODUCTION IS PROHIBITED

File name	Type of document	Fire Extinguisher Model	Date	Rele.	Check	Rev.	Pag.
18256-1_ technical manual	technical manual	18256-1	23/10/2024	M.R		2	1/3

18256-1 : Wheeled Fire Extinguisher, 25 Kg ABC Powder

- **INSTALLATION** The installation and the control and/or recovery operations of fire extinguisher must be performed by qualified technician and in accordance to current regulations on the matter.
- **USE** The technician will carry out annual inspection for check the internal pressure
- **MAINTENANCE** and after all other steps planned during the fire extinguisher useful life.

Any tampering or operation performed by unqualified technician, void the product warranty.

If possible, is recommended to place fire extinguisher in a dry place, protected from atmospheric agents.

For installation, use and maintenance follow as indicated in file : CPP_1_ENG

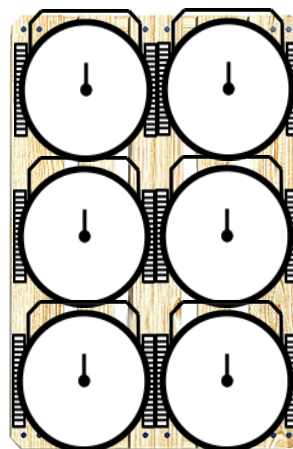
TECHNICAL SPECIFICATIONS

FIRE RATING	A II B C
EXTINGUISHING AGENT	ABC powder - MAP 20 % (Pro-Twenty - ProPhos Chemicals S.r.l)
PROPELLANT	Dehumidified air or Nitrogen (N ₂), 15 Bar at 20°C
TEMPERATURE RANGE	-30°C / +60°C
NOMINAL CHARGE	25 Kg
FULL WEIGHT	~ 47,5 Kg
DIMENSIONS	Height 930 +/- 10 mm; Width 425 +/- 10 mm Depth 430 +/- 15 mm
DISCHARGE TIME	~ 48,7 seconds
CYLINDER PRESSURE TEST	PT 30 bar
CYLINDER VOLUME	31 L
SAFETY DEVICE	Set between 21 and 26 bar
CYLINDER MATERIAL	Alloy steel
TREATMENT	Outside : Sandblast and powder painting Ral 3000

PACKAGING

(Note: quantities and measurements are indicative and can be subject at changes)

STANDARD
Maximum nr. 6 pieces for pallet
Pallet dimensions 100x120x120(h) cm



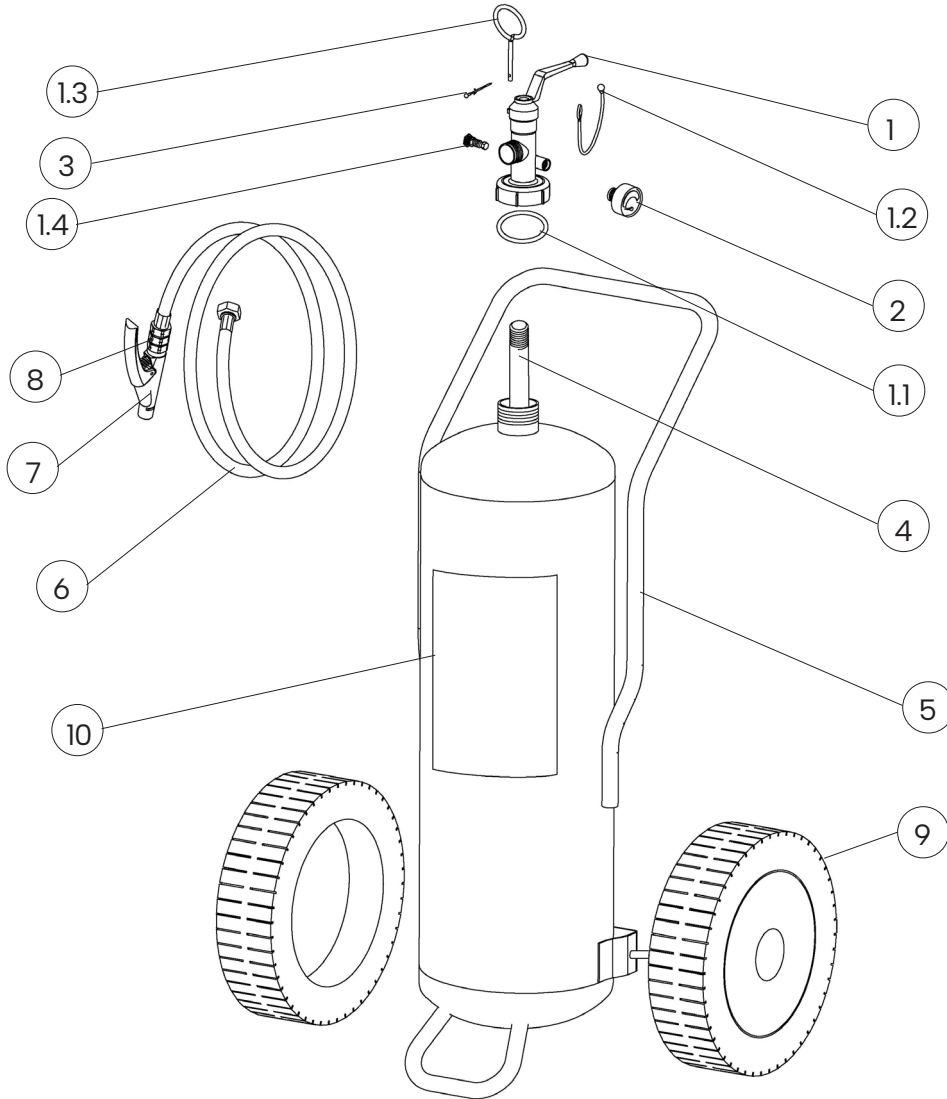
TRANSPORT DISPOSAL

Land transport : Exemption for the purposes of ADR disposal 594
Ship Transport : IMDG Code - UN 1044 class 2.2 Fire Extinguishers

File name	Type of document	Fire Extinguisher Model	Date	Rele.	Check	Rev.	Pag.
18256-1_ technical manual	technical manual	18256-1	23/10/2024	M.R		2	2/3

18256-1 : Wheeled Fire Extinguisher, 25 Kg ABC Powder

COMPONENTS AND SPARE PARTS LIST



NUM.	DESCRIPTION	CODE
1	Valve 2"-F	0214R
1.1	O-ring valve	0203
1.2	Temper seal	0286
1.3	Safety pin	0283R
1.4	Safety device	0263R
2	Pressure gauge	0271-1
3	Safety pin seal	0285
4	PVC dip tube	18401
5	Cylinder	18301

NUM.	DESCRIPTION	CODE
6	Hose	18421
7	Dispensing pistol	2181-4
8	Adapter fitting for hose-pistol	2293
9	Wheel + wheel stop (diam. 300mm)	0124
10	Label	1856-1

The spare part at number 1 includes already all others components from 1.1 to 1.4

File name	Type of document	Fire Extinguisher Model	Date	Rele.	Check	Rev.	Pag.
18256-1_ technical manual	technical manual	18256-1	23/10/2024	M.R		2	3/3