

Technical Manual



www.emme-italia.com

Via del Molino, 40 - 52010 Corsalone (AR) - Italy - info@emme-italia.com - Tel. +39.0575.511320
 Other branches in Italy : Milano - Padova - Roma - Palermo - Cagliari - P.IVA/ C.F. 11208251006 - R.E.A. AR-159122

19258 - Lombardia 18241 : Wheeled Fire Extinguisher, 25 L Foam



- **CYLINDER**
Stainless steel AISI 304, powder painting, Red Ral 3000.
- **EXTINGUISHING AGENT**
Water based foam.
- **PROPELLANT**
Dehumidified air or Nitrogen (N₂).
- **VALVE**
2"-F , brass body, lever with green painting Ral 6029.
- **USE**
A B fire rating (solid materials, flammable liquids).
- **BRACKET**
Chassis on wheels, welded at the cylinder, red painting Ral 3000.

REPRODUCTION IS PROHIBITED

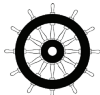
Note: image is for illustrative purpose only, the product purchased can have some differences

25 L foam wheeled fire extinguisher, temperature range from +5°C to +60°C, manufactured in accordance to **UNI EN 1866-1 (D.M. 6.3.92)**, approved Marine Equipment Directive **MED 2014/90/EU**, certified according to the directive for pressure equipment **PED 2014/68/EU**.

Quality Product certification guaranteed by Bureau Veritas Italia.

Suitable for use on fire involving electrical voltages up to 1'000 V, at a distance of 1 meter.

APPROVED\CERTIFIED FIRE EXTINGUISHER:



FIRE RATING :



File name	Type of document	Fire Extinguisher Model	Date	Rel.	Check	Rev.	Pag.
19258_Technical Manual	Technical Manual	19258 Lombardia 18241	01/08/2024	M.R		2	1/3

19258 – Lombardia 18241 : Wheeled Fire Extinguisher, 25 L Foam

- **INSTALLATION** The installation and the control and/or recovery operations of fire extinguisher must be performed by qualified technician and in accordance to current regulations on the matter.
- **USE**
- **MAINTENANCE** The technician will carry out annual inspection for check the internal pressure and after all other steps planned during the fire extinguisher useful life.

Any tampering or operation performed by unqualified technician, void the product warranty.

If possible, is recommended to place fire extinguisher in a dry place, protected from atmospheric agents.

For installation, use and maintenance follow as indicated in file : CSP_1_ENG

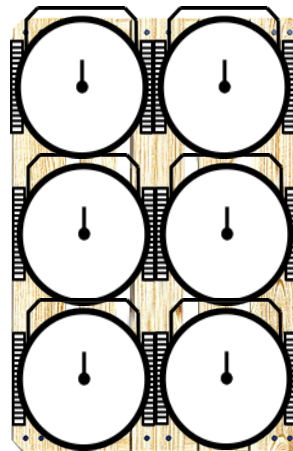
TECHNICAL SPECIFICATIONS

FIRE RATING	A IV B
EXTINGUISHING AGENT	Water based foam (2 % SC-6 orchidee + 98 % Water) (* Hyper-filtered water with an osmosis process)
PROPELLANT	Dehumidified air or Nitrogen (N ₂), 15 Bar at 20°C
TEMPERATURE RANGE	+5°C / +60°C
NOMINAL CHARGE	25 Liters
FULL WEIGHT	~ 45 Kg
DIMENSIONS	Height 930 +/- 10 mm ; Width 425 +/- 10 mm Depth 430 +/- 15 mm
DISCHARGE TIME	~ 27,6 seconds
CYLINDER PRESSURE TEST	PT 30 bar
CYLINDER VOLUME	31 L
SAFETY DEVICE	Set between 21 and 26 bar
CYLINDER MATERIAL	Stainless steel AISI 304
TREATMENT	Outside: Sandblast and powder painting Ral 3000

PACKAGING

(Note: the packaging quantities and measurements are indicative and can be subject at changes)

STANDARD
Maximum nr. 6 pieces for pallet
Pallet dimensions 100x120x120(h) cm



TRANSPORT DISPOSAL

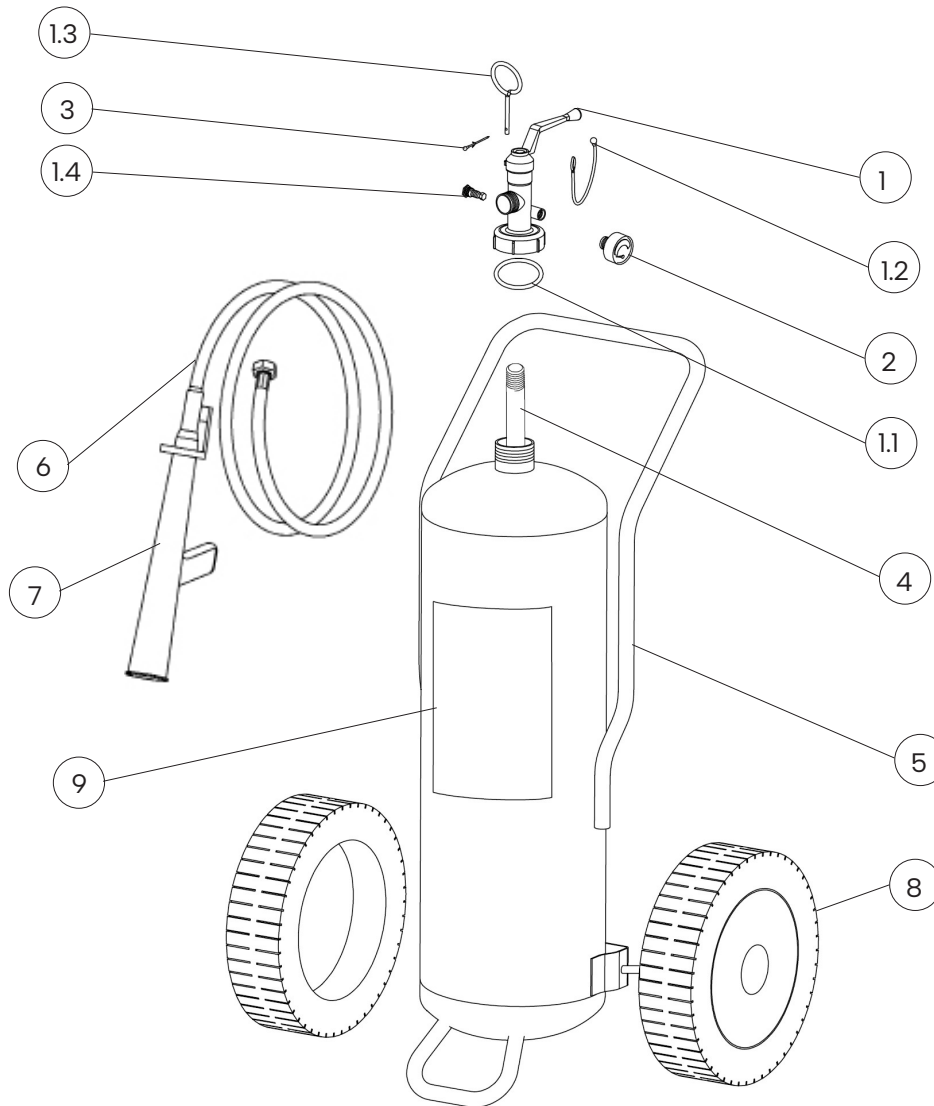
Land transport : Exemption for the purposes of ADR disposal 594

Ship Transport : IMDG Code - UN 1044 class 2.2 Fire Extinguishers

File name	Type of document	Fire Extinguisher Model	Date	Rel.	Check	Rev.	Pag.
19258_Technical Manual	Technical Manual	19258 Lombardia 18241	01/08/2024	M.R		2	2/3

19258 – Lombardia 18241 : Wheeled Fire Extinguisher, 25 L Foam

COMPONENTS AND SPARE PARTS LIST



NUM.	DESCRIPTION	CODE
1	Valve 2''-F	0214RV
1.1	O-ring valve	0203
1.2	Tamper seal	0286N
1.3	Safety pin	0283R
1.4	Safety device	0263R
2	Pressure gauge	1576
3	Safety pin seal	0285
4	PVC dip tube	18401
5	Cylinder	18302

NUM.	DESCRIPTION	CODE
6	Hose	18421
7	Dispensing nozzle (complete of ball valve with control lever and inox filter for foaming)	2181-2
8	Wheel + wheel stop (diam. 300mm)	0124V
9	Label	18366
	Additive for refill (1 Lt. concentrate - To mix with water, for two refill)	1470-1

The spare part at number 1, includes already others components from 1.1 to 1.4

File name	Type of document	Fire Extinguisher Model	Date	Rele.	Check	Rev.	Pag.
19258_Technical Manual	Technical Manual	19258 Lombardia 18241	01/08/2024	M.R		2	3/3