

Technical Manual



www.emme-italia.com

Via del Molino, 40 - 52010 Corsalone (AR) - Italy - info@emme-italia.com - Tel. +39.0575.511320
 Other branches in Italy : Milano - Padova - Roma - Palermo - Cagliari - P.IVA/ C.F. 11208251006 - R.E.A. AR-159122

21010-1 : Portable Fire Extinguisher, 1 Kg ABC Powder



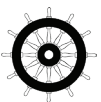
Note: image is for illustrative purpose only, the product purchased can has some difference

- **CYLINDER**
In high-strength alloy steel, deep drawing, external powder painting Red Ral 3000.
- **EXTINGUISHING AGENT**
ABC Powder - MAP 20 %.
- **PROPELLANT**
Dehumidified air or nitrogen (N₂).
- **VALVE**
M. 30x1.5, brass body, levers with red painting Ral 3000.
- **USE**
A B C fire rating (solid materials, flammable liquids, flammable gas).

REPRODUCTION IS PROHIBITED

1 Kg powder fire extinguisher, temperature range from -30°C to +60°C, manufactured in accordance to **UNI EN 3-7 (D.M. 7.1.2005)**, approved Marine Equipment Directive **MED 2014/90/EU**, certified according to the directive for pressure equipment PED 2014/68/EU. Manufactured according at productions checks as agreed with **EN 3-10**. Quality Product certification guaranteed by Bureau Veritas Italia. Suitable for use on fire involving electrical voltages up to 1'000 V, at a minimum distance of 1 meter.

APPROVED/CERTIFIED FIRE EXTINGUISHER:



FIRE RATING :



File name	Type of document	Fire Extinguisher Model	Date	Rele.	Check	Rev.	Pag.
21010-1_Technical manual	Technical manual	21010-1	09/08/2024	M.R		2	1/3

21010-1 : Portable Fire Extinguisher, 1 Kg ABC Powder

• INSTALLATION

The installation and the control and/or recovery operations of fire extinguisher must be performed by qualified technician and in accordance to current regulations on the matter.

• USE

• MAINTENANCE

The technician will carry out annual inspection for check the internal pressure and after all other steps planned during the fire extinguisher useful life.

Any tampering or operation performed by unqualified technician, void the product warranty.

If possible, is recommended to place fire extinguisher in a dry place, protected from atmospheric agents.

For installation, use and maintenance follow as indicated in file : EPP_1_ENG

TECHNICAL SPECIFICATIONS

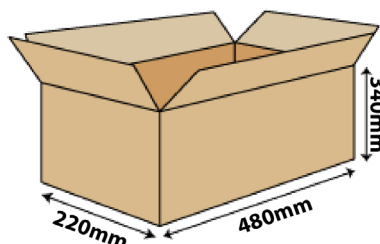
FIRE RATING	8 A 34 B C
EXTINGUISHING AGENT	ABC powder - MAP 20 % EPW 18462 (ABC Favorit Tertia - Rühl)
PROPELLANT	Dehumidified air or Nitrogen (N ₂), 15 Bar at 20°C
TEMPERATURE RANGE	-30°C / +60°C
NOMINAL CHARGE	1 Kg
FULL WEIGHT	~ 2,2 Kg (with bracket)
DIMENSIONS	Height (base - valve) 338 +/- 5 mm Diameter (cylinder) 85 +/- 2 mm
DISCHARGE TIME	~ 6,4 seconds
CYLINDER PRESSURE TEST	PT 27 bar
CYLINDER VOLUME	1,25 L
SAFETY DEVICE	Set between 20 and 26 bar
CYLINDER MATERIAL	Alloy steel
TREATMENT	Outside: Sandblast and powder painting, Ral 3000

PACKAGING

(Note: quantities and measurements are indicative and can be subject at changes)

STANDARD

Note: minimum 10 pieces
Maximum nr. 400 pieces for pallet
(40 boxes with 10 pieces for each one)
Pallet dimensions 100x120 cm



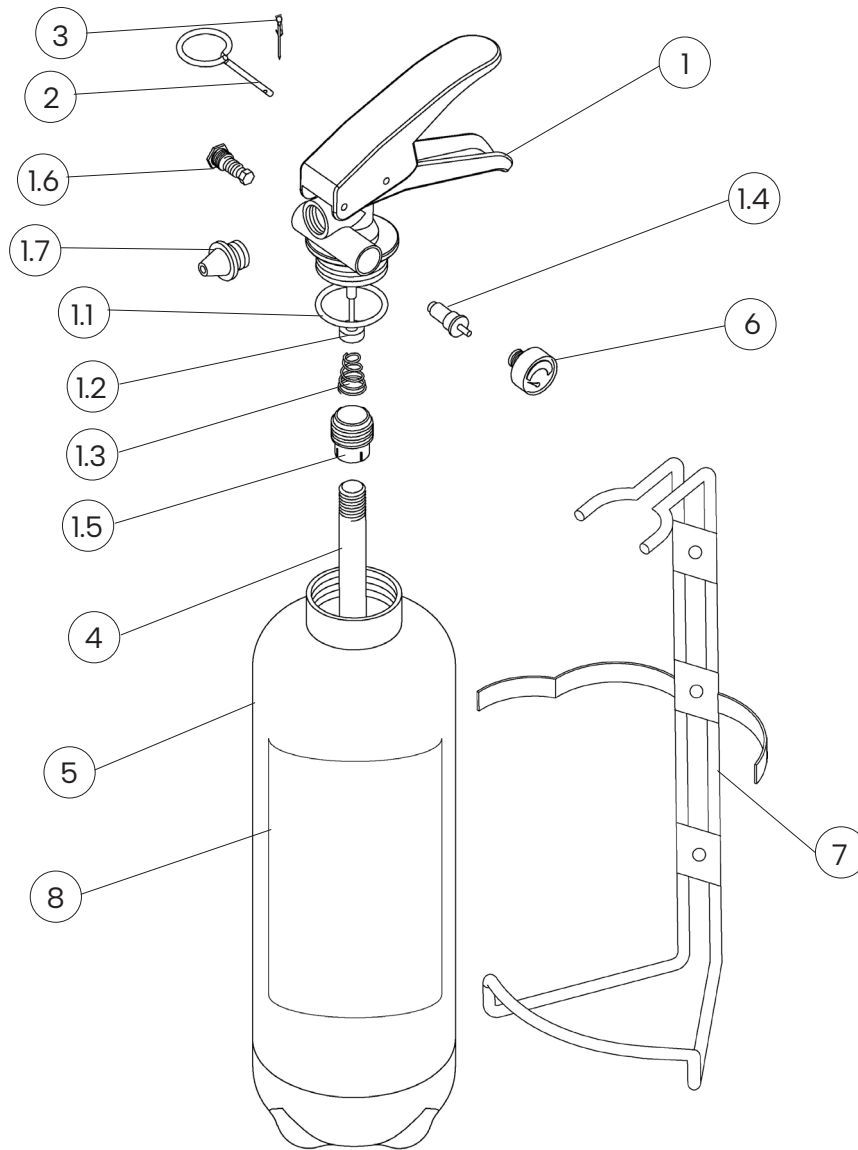
TRANSPORT DISPOSAL

Land transport : Exemption for the purposes of ADR disposal 594
Ship Transport : IMDG Code - UN 1044 class 2.2 Fire Extinguishers

File name	Type of document	Fire Extinguisher Model	Date	Rele.	Check	Rev.	Pag.
21010-1_Technical manual	Technical manual	21010-1	09/08/2024	M.R		2	2/3

21010-1 : Portable Fire Extinguisher, 1 Kg ABC Powder

COMPONENTS AND SPARE PARTS LIST



NUM.	DESCRIPTION	CODE
1	Valve M. 30x1.5	0211
1.1	O-ring valve	0201-13
1.2	Valve stem	0241R
1.3	Internal spring of the valve	n.a.
1.4	Test valve for pressure gauge	1163
1.5	Dip tube holder	n.a.
1.6	Safety device	0261R
1.7	Dispensing nozzle	0287

NUM.	DESCRIPTION	CODE
2	Safety pin	0282-1
3	Safety pin seal	0285
4	PVC dip tube	0151
5	Cylinder	0101
6	Pressure gauge	0271-1
7	Bracket	0326
8	Label	0051-2

The spare part at number 1 includes already all others components indicated from 1.1 to 1.7

"n.a." mean that the component is not available as single spare part

File name	Type of document	Fire Extinguisher Model	Date	Rele.	Check	Rev.	Pag.
21010-1_Technical manual	Technical manual	21010-1	09/08/2024	M.R		2	3/3