

# Technical Manual



www.emme-italia.com

Via del Molino, 40 - 52010 Corsalone (AR) - Italy - info@emme-italia.com - Tel. +39.0575.511320  
 Other branches in Italy : Milano - Padova - Roma - Palermo - Cagliari - P.IVA/ C.F. 11208251006 - R.E.A. AR-159122

## 21063-540 : Portable Fire Extinguisher, 6 Kg ABC Powder



### 100% SUSTAINABLE POWDER

To reach zero climate impact in Europe within 2050



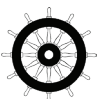
This powder has achieved certification by Milieukeur as eco-friendly product in accordance to European Green Deal

- **CYLINDER**  
In high-strength alloy steel, 3 pieces drawing, external powder painting Red Ral 3000.
- **EXTINGUISHING AGENT**  
Regenerated ABC Powder. MAP 30 %.
- **PROPELLANT**  
Dehumidified air or nitrogen (N<sub>2</sub>).
- **VALVE**  
CPF M. 30x1.5, brass body, levers with red painting Ral 3000.
- **USE**  
A B C fire rating (solid materials, flammable liquids, flammable gas).

Note: image is for illustrative purpose only, the product purchased can has some difference

6 Kg powder fire extinguisher, temperature range from -30°C to +60°C, manufactured in accordance to **UNI EN 3-7 (D.M. 7.1.2005)**, approved Marine Equipment Directive **MED 2014/90/EU**, certified according to the directive for pressure equipment **PED 2014/68/EU**. Manufactured according at productions checks as agreed with **EN 3-10**. Quality Product certification guaranteed by Bureau Veritas Italia. Suitable for use on fire involving electrical voltages up to 1'000 V, at a minimum distance of 1 meter.

APPROVED/CERTIFIED FIRE EXTINGUISHER:



FIRE RATING :



34



233



✓

| File name                  | Type of document | Fire Extinguisher Model | Date       | Rele. | Check | Rev. | Pag. |
|----------------------------|------------------|-------------------------|------------|-------|-------|------|------|
| 21063-540_Technical manual | Technical manual | 21063-540               | 14/10/2024 | M.R   |       | 2    | 1/3  |

REPRODUCTION IS PROHIBITED

# 21063-540 : Portable Fire Extinguisher, 6 Kg ABC Powder

- **INSTALLATION** The installation and the control and/or recovery operations of fire extinguisher must be performed by qualified technician and in accordance to current regulations on the matter.
- **USE**
- **MAINTENANCE** The technician will carry out annual inspection for check the internal pressure and after all other steps planned during the fire extinguisher useful life.

Any tampering or operation performed by unqualified technician, void the product warranty.

If possible, is recommended to place fire extinguisher in a dry place, protected from atmospheric agents.

**For installation, use and maintenance follow as indicated in file : EPP\_1\_ENG**

## TECHNICAL SPECIFICATIONS

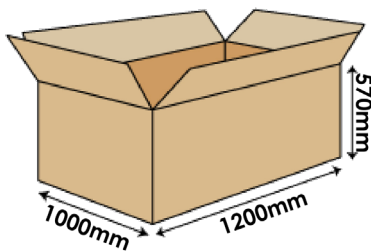
|                        |  |
|------------------------|--|
| FIRE RATING            | 34 A 233 B C   |
| EXTINGUISHING AGENT    | Regenerated ABC Powder - MAP 30 %<br>(NTL30 - New Tech Lab)            |
| PROPELLANT             | Dehumidified air or Nitrogen (N <sub>2</sub> ), 15 Bar at 20°C         |
| TEMPERATURE RANGE      | -30°C / +60°C  |
| NOMINAL CHARGE         | 6 Kg   |
| FULL WEIGHT            | ~ 9,55 Kg  |
| DIMENSIONS             | Height (base - valve) 510 +/- 5 mm<br>Diameter (cylinder) 160 +/- 2 mm |
| DISCHARGE TIME         | ~ 21,1 seconds   |
| CYLINDER PRESSURE TEST | PT 27 bar  |
| CYLINDER VOLUME        | 7,3 Liters   |
| SAFETY DEVICE          | Set between 20 and 24 bar  |
| CYLINDER MATERIAL      | Steel alloy  |
| TREATMENT              | Outside: Sandblast and powder painting, Ral 3000                       |

## PACKAGING

(Note: quantities and measurements are indicative and can be subject at changes)

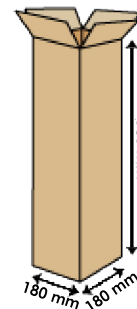
### STANDARD

Maximum nr. 100 pieces for pallet  
(44 pieces for box, max 2 boxes for pallet)  
(12 pieces. single packaging )  
Pallet dimensions 100x120x160(h) cm



### ON REQUEST: SINGLE PACKAGING

- maximum 64 pieces on pallet 100x120  
- maximum 48 pieces on pallet 80x120



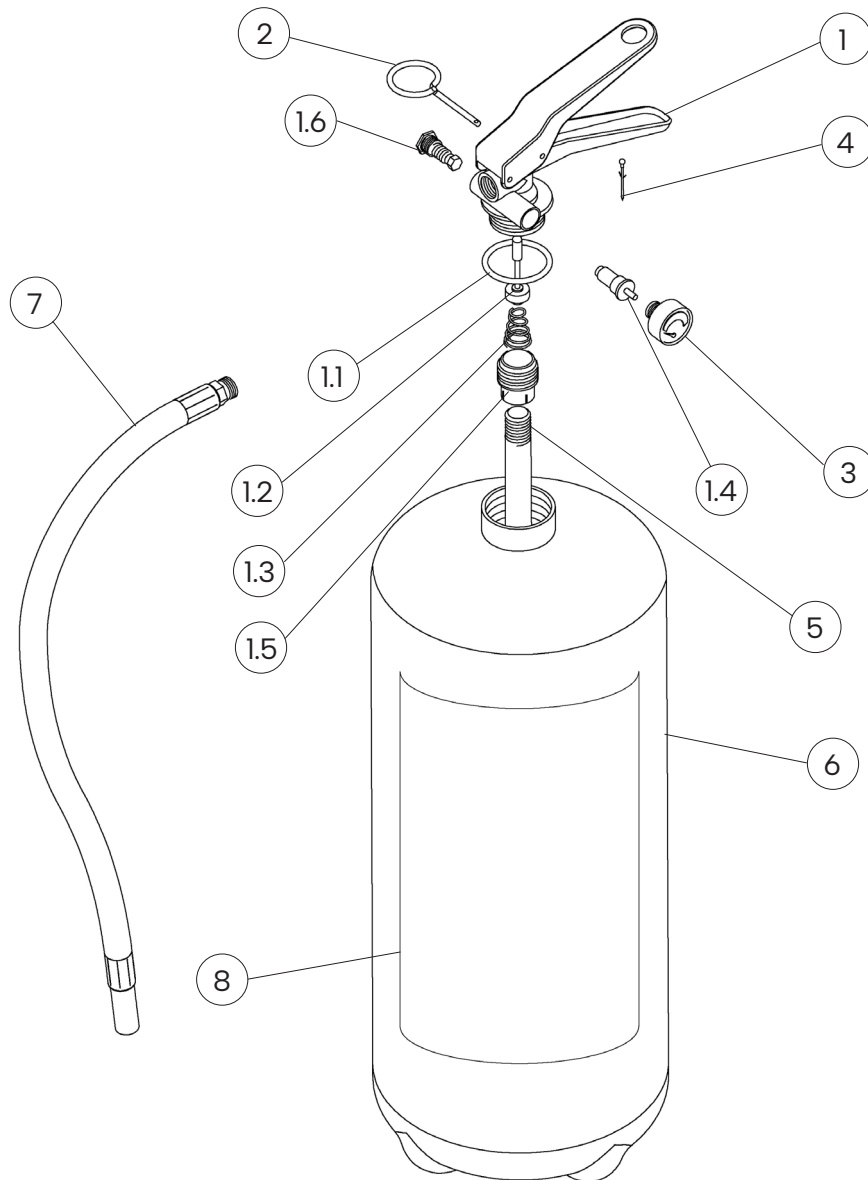
## TRANSPORT DISPOSAL

Land transport : Exemption for the purposes of ADR disposal 594  
Ship Transport : IMDG Code - UN 1044 class 2.2 Fire Extinguishers

| File name                  | Type of document | Fire Extinguisher Model | Date       | Rele. | Check | Rev. | Pag. |
|----------------------------|------------------|-------------------------|------------|-------|-------|------|------|
| 21063-540_Technical manual | Technical manual | 21063-540               | 14/10/2024 | M.R   |       | 2    | 2/3  |

# 21063-540 : Portable Fire Extinguisher, 6 Kg ABC Powder

## COMPONENTS AND SPARE PARTS LIST



| NUM. | DESCRIPTION                   | CODE   |
|------|-------------------------------|--------|
| 1    | Valvola M. 30x1.5             | 0212C  |
| 1.1  | O-ring valve                  | 0201C  |
| 1.2  | Valve stem                    | 0242C  |
| 1.3  | Internal spring of the valve  | 0251C  |
| 1.4  | Test valve for pressure gauge | 1163C  |
| 1.5  | Dip tube holder               | 0253C  |
| 1.6  | Safety device                 | 0261C  |
| 2    | Safety pin                    | 0282-1 |
| 3    | Pressure gauge                | 0271-1 |
| 4    | Safety pin seal               | 0285   |

| NUM.     | DESCRIPTION                      | CODE     |
|----------|----------------------------------|----------|
| 5        | PVC dip tube                     | 1859     |
| 6        | Cylinder                         | 1848K    |
| 7        | Hose                             | 0292     |
| 8        | Label                            | 0054-540 |
| OPTIONAL | Iron marine bracket red painting | 0316     |
| OPTIONAL | Stainless steel marine bracket   | 1464     |

The spare part at number 1 includes already all others components indicated from 1.1 to 1.6

| File name                  | Type of document | Fire Extinguisher Model | Date       | Rele. | Check | Rev. | Pag. |
|----------------------------|------------------|-------------------------|------------|-------|-------|------|------|
| 21063-540_Technical manual | Technical manual | 21063-540               | 14/10/2024 | M.R   |       | 2    | 3/3  |