

# Technical Manual



www.emme-italia.com

Via del Molino, 40 - 52010 Corsalone (AR) - Italy - info@emme-italia.com - Tel. +39.0575.511320  
 Other branches in Italy : Milano - Padova - Roma - Palermo - Cagliari - P.IVA/ C.F. 11208251006 - R.E.A. AR-159122

## 23020-74 : Portable Fire Extinguisher, 2 Kg Carbon Dioxide



OPTIONAL  
Adapter with clip

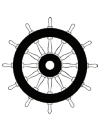


- **CYLINDER**  
Alloy steel, external powder painting, color Red Ral 3000.
- **EXTINGUISHING AGENT**  
Carbon Dioxide 99,99 % (CO<sub>2</sub>).
- **VALVE**  
Levian M. 25x2, brass body, lever red RAL 3000.
- **USE**  
Fire Rating class B (flammable liquids).

Note: image is for illustrative purpose only, the product purchased can has some difference

2 Kg Carbon Dioxide Fire Extinguisher, temperature range from -30°C to +60°C, manufactured in accordance to **UNI EN 3-7 (D.M. 7.1.2005)**, approved by Marine Equipment Directive **MED 2014/90/EU**, certified according to the directive for pressure equipment PED 2014/68/EU. Manufactured according at productions checks as agreed with **EN 3-10**. Quality Product certification guaranteed by Bureau Veritas Italia. Suitable for use on fire involving electrical voltages up to 1'000 V, at a minimum distance of 1 meter.

APPROVED/CERTIFIED FIRE EXTINGUISHER:



**FIRE RATING :**



34

File name	Type of document	Fire Extinguisher Model	Date	Rele.	Check	Rev.	Pag.
23020-74_Technical manual	Technical manual	23020-74	14/06/2024	M.R		2	1/3

REPRODUCTION IS PROHIBITED

# 23020-74 : Portable Fire Extinguisher, 2 Kg Carbon Dioxide

## • INSTALLATION

The installation and the control and/or recovery operations of fire extinguisher must be performed by qualified technician and in accordance to current regulations on the matter.

## • USE

## • MAINTENANCE

The technician will carry out annual inspection for check the charge and after all other steps planned during the fire extinguisher useful life

Any tampering or operation performed by unqualified technician, void the product warranty.

If possible, is recommended to place fire extinguisher in a dry place, protected from atmospheric agents.

**For installation, use and maintenance follow as indicated in file : EPC\_1\_ENG**

## TECHNICAL SPECIFICATIONS

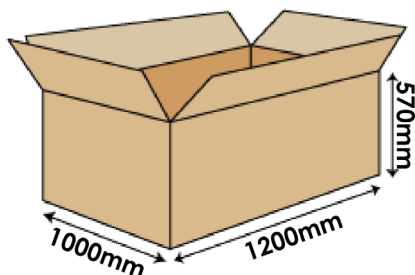
FIRE RATING	34 B
EXTINGUISHING AGENT	Carbon Dioxide 99,99 % (CO <sub>2</sub> )
TEMPERATURE RANGE	-30°C / +60°C
NOMINAL CHARGE	2 Kg
FULL WEIGHT	~ 6,35 Kg
DIMENSIONS	Height (base - valve) 555 +/- 10 mm Diameter (cylinder) 104 +/- 2 mm
DISCHARGE TIME	~ 6,7 seconds
CYLINDER PRESSURE TEST	PT 250 bar
CYLINDER VOLUME	3 L
SAFETY DEVICE	Set between 186 and 212 bar
CYLINDER MATERIAL	Alloy steel
TREATMENT	Outside: Sandblast and powder painting, Ral 3000

## PACKAGING

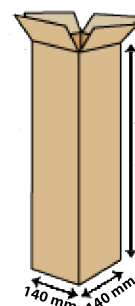
(Note: quantities and measurements are indicative and can be subject at changes)

### STANDARD

Maximum nr. 100 pieces for pallet  
(100 pieces for box, 1 box for pallet)  
Pallet dimensions 100x120x75(h) cm



### ON REQUEST: SINGLE PACKAGING



## TRANSPORT DISPOSAL

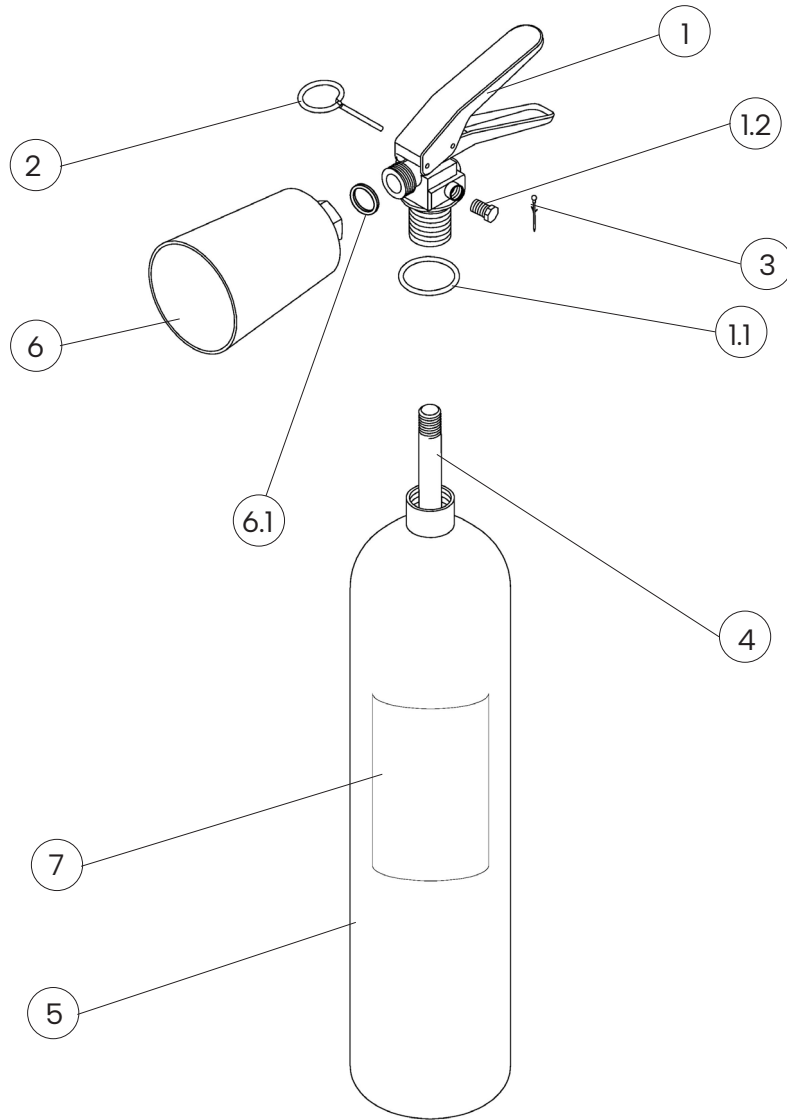
Land transport : Exemption for the purposes of ADR disposal 594

Ship Transport : IMDG Code - UN 1044 class 2.2 Fire Extinguishers

File name	Type of document	Fire Extinguisher Model	Date	Rel.	Check	Rev.	Pag.
23020-74_Technical manual	Technical manual	23020-74	14/06/2024	M.R		2	2/3

# 23020-74 : Portable Fire Extinguisher, 2 Kg Carbon Dioxide

## COMPONENTS AND SPARE PARTS LIST



NUM.	DESCRIPTION	CODE
1	Valve M. 25x2	0213L
1.1	O-ring valve	0202
1.2	Safety device	n.a.
2	Safety pin	0282-1
3	Safety pin seal	0285
4	Aluminum dip tube	0157-4

NUM.	DESCRIPTION	CODE
5	Cylinder	1884
6	Dispensing horn	0331-1
6.1	Gasket in nylon	0204
7	Label	2252-74
OPTIONAL	Iron marine bracket red painting	1238-1
OPTIONAL	Iron ring wall-mounted, red painting, adapter with clip	1907-1

The spare part at number 1 includes already others components 1.1 and 1.2

The spare part at number 6 includes already other component 6.1

"n.a." mean that the component is not available as single spare part

File name	Type of document	Fire Extinguisher Model	Date	Rele.	Check	Rev.	Pag.
23020-74_Technical manual	Technical manual	23020-74	14/06/2024	M.R		2	3/3