

Technical Manual



www.emme-italia.com

Via del Molino, 40 - 52010 Corsalone (AR) - Italy - info@emme-italia.com - Tel. +39.0575.511320
 Other branches in Italy : Milano - Padova - Roma - Palermo - Cagliari - P.IVA/ C.F. 11208251006 - R.E.A. AR-159122

23052-72 : Portable Fire Extinguisher, 5 Kg Carbon Dioxide



OPTIONAL
Adapter with clip

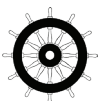


- **CYLINDER**
Alloy steel, external powder coating, color Red Ral 3000.
- **EXTINGUISHING AGENT**
Carbon Dioxide 99,99 % (CO₂).
- **VALVE**
Levian M. 25x2, brass body, lever red RAL 3000.
- **USE**
Fire Rating class B (flammable liquids).

Note: image is for illustrative purpose only, the product purchased can has some difference

5 Kg Carbon Dioxide Fire Extinguisher, temperature range from -30°C to +60°C, manufactured in accordance to **UNI EN 3-7 (D.M. 7.1.2005)**, approved by Marine Equipment Directive **MED 2014/90/EU**, certified according to the directive for pressure equipment PED 2014/68/EU. Manufactured according at productions checks as agreed with **EN 3-10**. Quality Product certification guaranteed by Bureau Veritas Italia. Suitable for use on fire involving electrical voltages up to 1'000 V, at a minimum distance of 1 meter.

APPROVED/CERTIFIED FIRE EXTINGUISHER:



FIRE RATING :



113

File name	Type of document	Fire Extinguisher Model	Date	Rele.	Check	Rev.	Pag.
23052-72_Technical manual	Technical manual	23052-72	14/06/2024	M.R		2	1/3

REPRODUCTION IS PROHIBITED

23052-72 : Portable Fire Extinguisher, 5 Kg Carbon Dioxide

- **INSTALLATION** The installation and the control and/or recovery operations of fire extinguisher must be performed by qualified technician and in accordance to current regulations on the matter.
- **USE**
- **MAINTENANCE** The technician will carry out annual inspection for check the charge and after all other steps planned during the fire extinguisher useful life

Any tampering or operation performed by unqualified technician, void the product warranty.

If possible, is recommended to place fire extinguisher in a dry place, protected from atmospheric agents.

For installation, use and maintenance follow as indicated in file : EPC_1_ENG

TECHNICAL SPECIFICATIONS

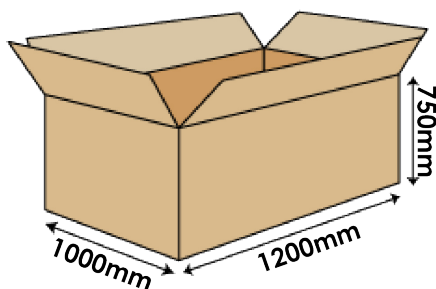
FIRE RATING	113 B
EXTINGUISHING AGENT	Carbon Dioxide 99,99 % (CO ₂)
TEMPERATURE RANGE	-30°C / +60°C
NOMINAL CHARGE	5 Kg
FULL WEIGHT	~ 13,65 Kg
DIMENSIONS	Height (base - valve) 740 +/- 10 mm Diameter (cylinder) 136 +/- 2 mm
DISCHARGE TIME	~ 15,6 seconds
CYLINDER PRESSURE TEST	PT 250 bar
CYLINDER VOLUME	7,5 L
SAFETY DEVICE	Set between 186 and 212 bar
CYLINDER MATERIAL	Alloy steel
TREATMENT	Outside: Sandblast and powder painting, Ral 3000

PACKAGING

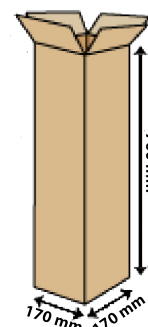
(Note: quantities and measurements are indicative and can be subject at changes)

STANDARD

Maximum nr. 65 pieces for pallet
(65 pieces for box, 1 box for pallet)
Pallet dimensions 100x120x100(h) cm



ON REQUEST: SINGLE PACKAGING



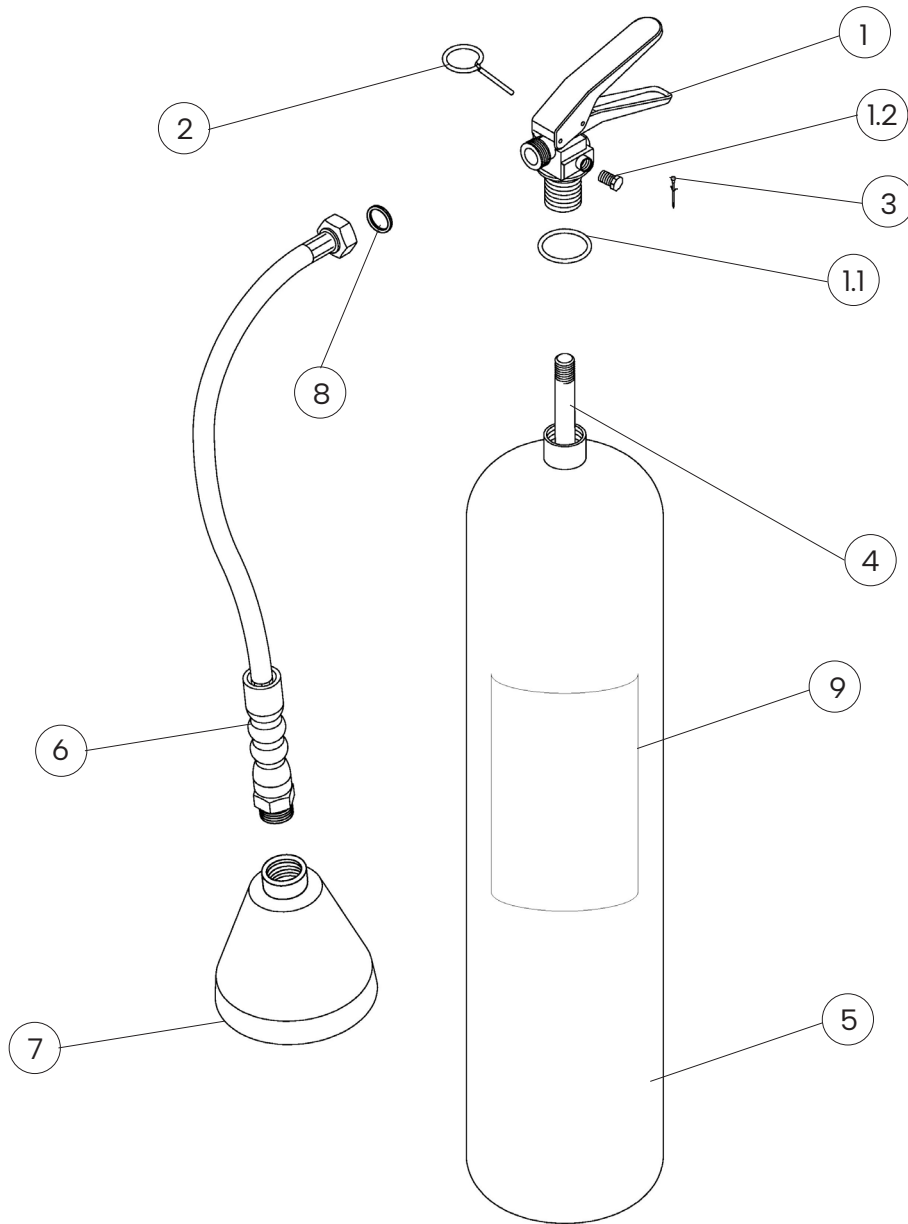
TRANSPORT DISPOSAL

Land transport : Exemption for the purposes of ADR disposal 594
Ship Transport : IMDG Code - UN 1044 class 2.2 Fire Extinguishers

File name	Type of document	Fire Extinguisher Model	Date	Rel.	Check	Rev.	Pag.
23052-72_Technical manual	Technical manual	23052-72	14/06/2024	M.R		2	2/3

23052-72 : Portable Fire Extinguisher, 5 Kg Carbon Dioxide

COMPONENTS AND SPARE PARTS LIST



NUM.	DESCRIPTION	CODE
1	Valve M. 25x2	0213L
1.1	O-ring valve	0202
1.2	Safety device	n.a.
2	Safety pin	0282-1
3	Safety pin seal	0285
4	Aluminum dip tube	0160-4
5	Cylinder	0110-1
6	Hose SAE 100 R1 T ½"	0294

NUM.	DESCRIPTION	CODE
7	Dispensing horn	0332-42
8	Gasket in nylon	0204
9	Label	0064-72
OPTIONAL	Iron ring wall-mounted, red painting, adapter with clip	1907-2
OPTIONAL	Iron marine bracket red painting	0319

The spare part at number 1 includes already others components 1.1 and 1.2

"n.a." mean that the component is not available as single spare part

File name	Type of document	Fire Extinguisher Model	Date	Rele.	Check	Rev.	Pag.
23052-72_Technical manual	Technical manual	23052-72	14/06/2024	M.R		2	3/3