

Technical Manual



www.emme-italia.com

Via del Molino, 40 - 52010 Corsalone (AR) - Italy - info@emme-italia.com - Tel. +39.0575.511320
 Other branches in Italy : Milano - Padova - Roma - Palermo - Cagliari - P.IVA/ C.F. 11208251006 - R.E.A. AR-159122

25064 : Portable Fire Extinguisher, 6 Kg BC Powder



CLIP DETAIL



- **CYLINDER**
In high-strength alloy steel, 3 pieces drawing, with clip, external powder painting Red Ral 3000.
- **EXTINGUISHING AGENT**
BC Powder.
Potassium bicarbonate.
- **PROPELLANT**
Auxiliary pressure.
Fire extinguisher pressurized at moment of use with 150g CO₂ in cartridge.
- **VALVE**
M. 74x2, lightweight aluminum alloy, activation with percussion method.
- **USE**
B C fire rating
(flammable liquids, flammable gas).

Note: image is for illustrative purpose only, the product purchased can has some difference

6 Kg powder fire extinguisher, auxiliary pressure, temperature range from -30°C to +60°C, manufactured in accordance to **UNI EN 3-7**, certified according to the directive for pressure equipment PED 2014/68/EU.

Manufactured according at productions checks as agreed with **EN 3-10**.

Quality Product certification guaranteed by Bureau Veritas Italia.

Suitable for use on fire involving electrical voltages up to 1'000 V, at a minimum distance of 1 meter.

APPROVED/CERTIFIED FIRE EXTINGUISHER:



FIRE RATING :



233



File name	Type of document	Fire Extinguisher Model	Date	Rele.	Check	Rev.	Pag.
25064_Technical manual	Technical manual	25064	16/10/2024	M.R		2	1/3

REPRODUCTION IS PROHIBITED

25064 : Portable Fire Extinguisher, 6 Kg BC Powder

- **INSTALLATION**
- **USE**
- **MAINTENANCE**

The installation and the control and/or recovery operations of fire extinguisher must be performed by qualified technician and in accordance to current regulations on the matter.

The technician will carry out annual inspection for check the internal pressure and after all other steps planned during the fire extinguisher useful life.

Any tampering or operation performed by unqualified technician, void the product warranty.

If possible, is recommended to place fire extinguisher in a dry place, protected from atmospheric agents.

For installation, use and maintenance follow as indicated in file : EPA_1_ENG

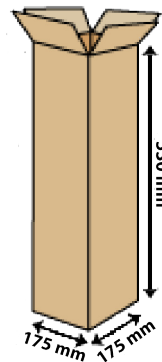
TECHNICAL SPECIFICATIONS

FIRE RATING	233 B C
EXTINGUISHING AGENT	BC powder - Potassium bicarbonate
PROPELLANT	Cartridge with 150g CO ₂
TEMPERATURE RANGE	-30°C / +60°C
NOMINAL CHARGE	6 Kg
FULL WEIGHT	(without bracket 3036) ~ 10,5 Kg
DIMENSIONS	Height (base - valve) 515 +/- 5 mm Diameter (cylinder) 152 +/- 2 mm
DISCHARGE TIME	~ 19,1 seconds
CYLINDER PRESSURE TEST	PT 30 bar
CYLINDER VOLUME	6,89 L
SAFETY DEVICE	Set at 24 +/- 2 bar
CYLINDER MATERIAL	Alloy steel
TREATMENT	Outside: Sandblast and powder painting, Ral 3000

PACKAGING

(Note: quantities and measurements are indicative and can be subject at changes)

STANDARD
Maximum nr. 60 pieces for pallet
(single packaging)
Pallet dimensions 100x120 cm



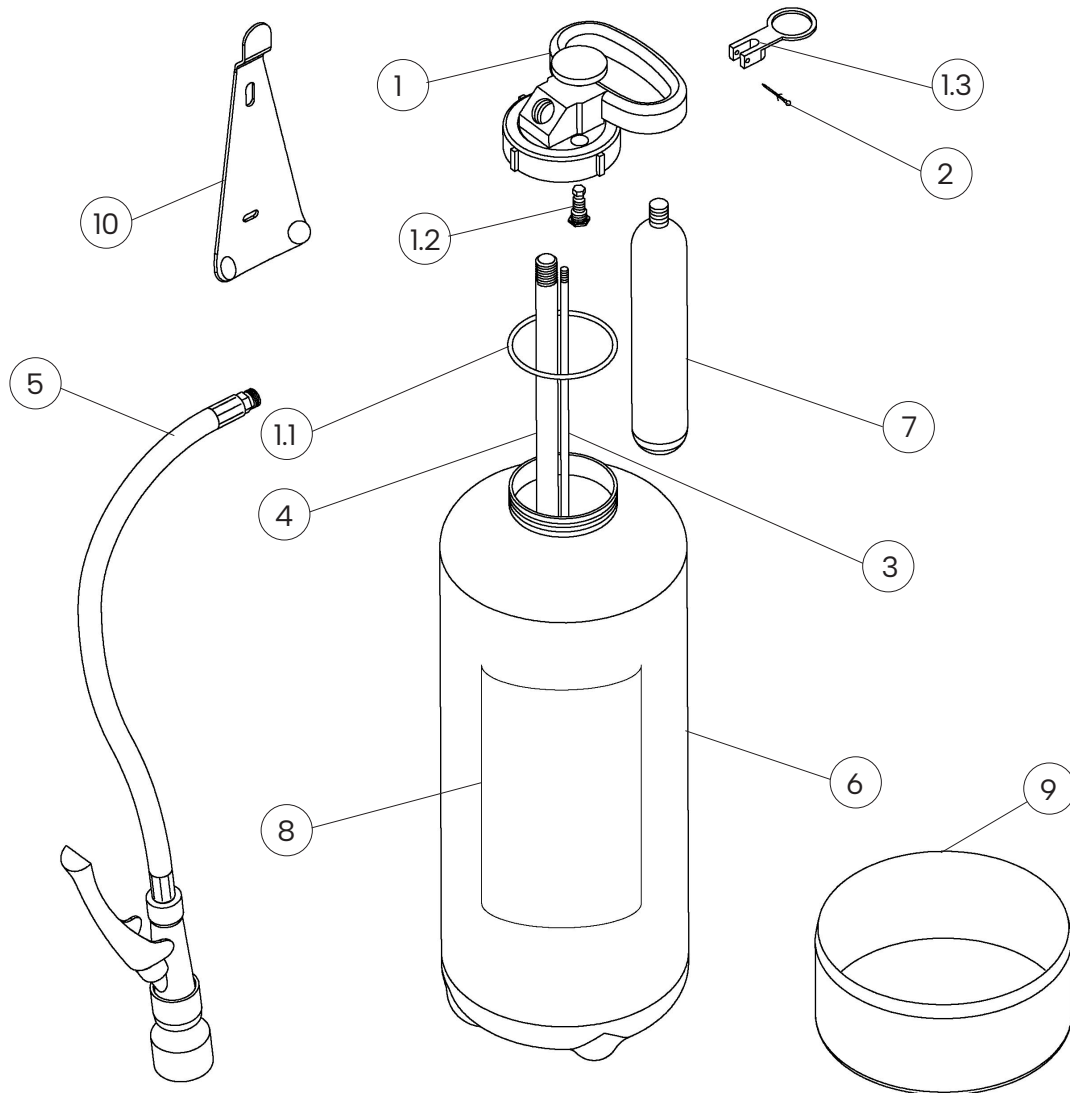
TRANSPORT DISPOSAL

Land transport : Exemption for the purposes of ADR disposal 594
Ship Transport : IMDG Code - UN 1044 class 2.2 Fire Extinguishers

File name	Type of document	Fire Extinguisher Model	Date	Rel.	Check	Rev.	Pag.
25064_Technical manual	Technical manual	25064	16/10/2024	M.R		2	2/3

25064 : Portable Fire Extinguisher, 6 Kg BC Powder

COMPONENTS AND SPARE PARTS LIST



NUM.	DESCRIPTION	CODE	NUM.	DESCRIPTION	CODE
1	Valve M. 74x2	3008-1	5	Hose with dispensing nozzle	3014
1.1	O-ring valve	0201-5	6	Cylinder	n.a.
1.2	Safety device	n.a.	7	CO ₂ cartridge 150 g	3030
1.3	Safety pin	n.a.	8	Label	3015-3
2	Safety pin seal	0285	9	Plastic bottom	3028-3
3	Pressurization tube	3033-3	10	Wall-mounted bracket for fire extinguisher with clip	3036
4	PVC dip tube	3033			

The spare part at number 1 includes already all others components indicated from 1.1 to 1.3

"n.a." mean that the component is not available as single spare part

File name	Type of document	Fire Extinguisher Model	Date	Rele.	Check	Rev.	Pag.
25064_Technical manual	Technical manual	25064	16/10/2024	M.R		2	3/3