



LOCALIZED SHUTDOWN SYSTEMS

They are systems created and designed to be installed to protect unattended premises on a constant basis. The installation can take place internally and externally to the room to be protected, the extinguishant is supplied via special nozzles, connected to the aluminum pipe, for discharge at a pre-established point. The valve equipped with a thermo-expanding bulb allows the application of the activation cable (optional) and/or the pyrotechnic cartridge (optional) for activation from remote control or detector for installation of the device outside the engine compartment. The valve is also equipped with a pressure switch for constant signalling of the pressure inside the device.

FOAM

SERIE INDUSTRIAL FOAM

Suitable on class fires



Manual actuator



Distribution tube



Pyrotechnic cartridge



OPTIONAL ACCESSORIES

INCLUDED ACCESSORIES

Pressure switch



Bracket



Fittings
4 pieces



Dispensing nozzle
2 pieces



File name	Type of document	Fire Extinguisher Model	Date	Rele.	Check	Rev.	Pag.
industrial foam	technical manual	localized shutdown	22/01/2024	M.R		1	1/4

FOAM LOCALIZED SHUTDOWN SYSTEMS - INDUSTRIAL SERIES

TECHNICAL SPECIFICATIONS

CYLINDER	In high-strength alloy steel, external powder painting Red Ral 3000 Inside treatment: plastification coating
EXTINGUISHING AGENT	Foam (2% SC-6 + 98% Water)
PROPELLANT	Nitrogen (N ₂)
VALVE	M. 30x1.5, with bulb in standard equipment, supplied with pressure switch set at 11 bar
USE	A B fire rating (solid materials, flammable liquids)
ACTIVATION	Automatic when bulb temperature is reached; On request (see optional): - with manual actuator with handle, - with pyrotechnic cartridge for electric activation. *Note: the valve allow installation of both of two optional activation, is possible to install both at the same time
BULB TEMPERATURE ACTIVATION	93°C
SYSTEM TEMPERATURE RANGE	+5°C/+60°C
SYSTEM PRESSURE	15 bar at 20°C
BRACKET	Wall-mounted in standard equipment, iron painted

AVAILABLE MODELS

System Code	Max covered Volume (m ³)	Cylinder Volume (L)	Nominal charge (Kg)	Max tube length (m)	Cylinder diameter (mm)	Max dimensions L x H (mm)	* Weight (Kg)
11069-1	10	7,5	6	5	160	180 x 530	~ 10,45
11099-1	20	10,5	9	6	170	190 x 620	~ 14,90

*Weight includes: pressure switch, bracket, 2 dispensing nozzles, 4 fittings

TECHNICAL SPECIFICATIONS FOR OPTIONAL PARTS



Code 1890-3 Manual actuator kit for remote activation, including:
- stainless steel cable 6 m, plastic coated, with brass terminals.
With special self-tapping terminals that allow to cut cable at right measure and then install into terminals;
- cable storage box, ABS white.



Code 2164 (quantity for meters)
Distribution tube for extinguishing agent, in aluminum with PVC external coating , 10 mm diameter.



Code 2166-1
Pyrotechnic cartridge for remote electric activation.

File name	Type of document	Fire Extinguisher Model	Date	Rele.	Check	Rev.	Pag.
industrial foam	user manual	localized shutdown	22/01/2024	M.R		1	2/4

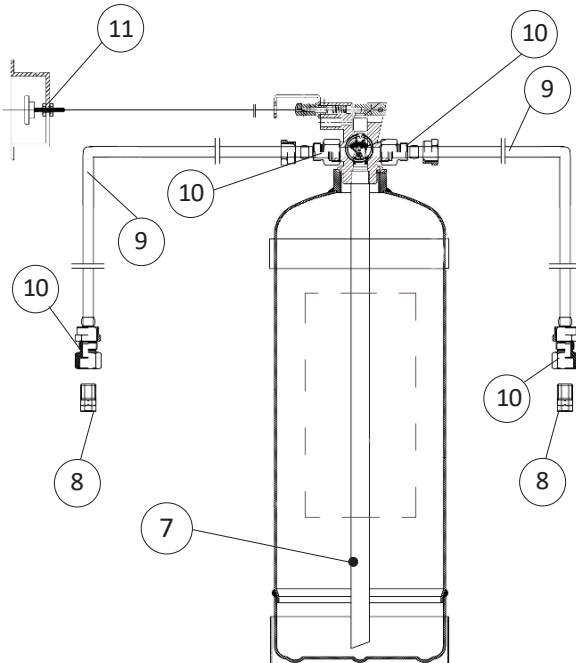
FOAM LOCALIZED SHUTDOWN SYSTEMS - INDUSTRIAL SERIES



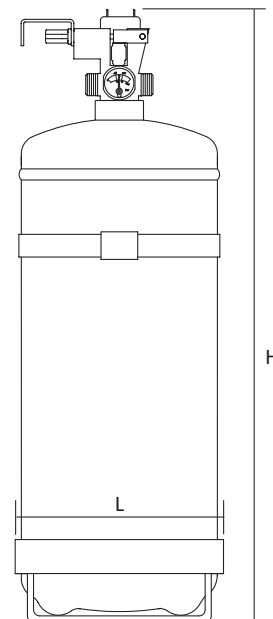
SPARE PARTS

N.	DESCRIPTION	CODE
1	M. 30x1.5 valve with thermosensible bulb for automatic activation 93°C	1906
2	Pressure gauge 1/8 NPT	0272
3	Cylinder	7,50 L 10,70 L 0112-3 0111-2
4	Bracket	7,50 L 10,70 L 0316-1 0318-2
5	Label	2064-2
6	Pressure switch 1/8" , set at 11 bar, with protection cap	1161
7	PVC dip tube	7,50 L 10,70 L 0154 0155-1
8	Dispensing nozzle M 3/8"	2163-2
9	Distribution tube for ext. agent - meters q.ty	2164
10	Fitting for distribution tube, F 3/8" ogive	2165
11	Manual actuator kit for remote activation	1890-3

IDEAL INSTALLATION ILLUSTRATION



DIMENSION REFERENCE



File name	Type of document	Fire Extinguisher Model	Date	Rele.	Check	Rev.	Pag.
industrial foam	technical manual	localized shutdown	22/01/2024	M.R		0	3/4

Warnings for use

- 1) Suitable for use on electrical fires (control panels or electrical circuits).
- 2) Ventilate the room after use.
- 3) Recharge the device after each use, even if partial

Maintenance and periodic controls

Maintenance and installation operations must be carried out by personnel specialized in the use of pressure equipment and as reported in this technical manual.

During maintenance it is necessary to take all precautions to prevent fires.

Maintenance must be carried out with the frequency indicated by the country in which it is installed.

Check periodically that the pressure gauge indicator is inside the green area, if indicator is in red area contact an authorized company to carry out maintenance.

Product Warranty

Any restoration operations and instrumental checks must be carried out exclusively by competent and authorized personnel, with the documentation necessary to carry out the operations to maintain product performance.

Any tampering or intervention by unauthorized personnel will void the product warranty.

File name	Type of document	Fire Extinguisher Model	Date	Rele.	Check	Rev.	Pag.
industrial foam	technical manual	localized shutdown	22/01/2024	M.R		0	4/4