



LOCALIZED SHUTDOWN SYSTEMS

POWDER

MARE-PW SERIES

Suitable on class fires



They are systems made and designed to be installed on board of pleasure boats, length no more than 24 meters, for the purpose of protecting the engine compartments.

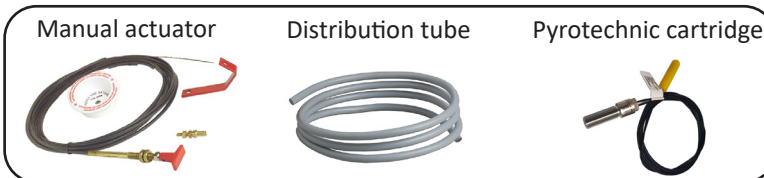
The system can be installed both internally and externally to the engine compartment and connected with optional aluminium tube for discharge at a predetermined point.

The valve equipped with a thermoexpanding bulb allows the activation of device when the set temperature is reach (standard bulb at 93°C).

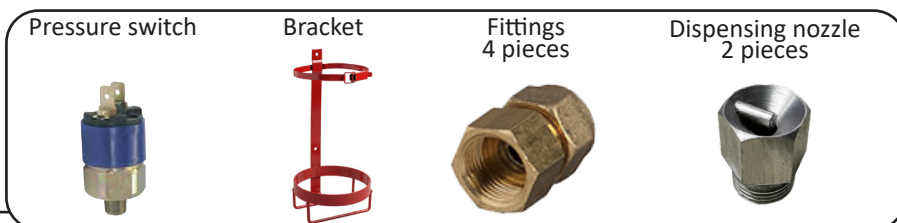
The valve is also equipped with a pressure switch for constant signalling of the pressure inside the device. On the valve is possible the installation of pyrotechnic cartridge for a remote activation.



INCLUDED ACCESSORIES



OPTIONAL ACCESSORIES



REPRODUCTION IS PROHIBITED

File name	Type of document	Fire Extinguisher Model	Date	Rel.	Check	Rev.	Pag.
mare PW series	user manual	localized shutdown	30/11/2023	M.R		1	1/4

TECHNICAL SPECIFICATIONS

CYLINDER	In high-strength alloy steel, external powder painting Red Ral 3000
EXTINGUISHING AGENT	ABC Powder
PROPELLANT	Nitrogen (N ₂)
VALVE	M. 30x1.5, with bulb in standard equipment, supplied with pressure switch set at 11 bar
USE	A B C fire rating (solid materials, flammable liquids, flammable gas)
ACTIVATION	Automatic when bulb temperature is reached; On request (see optional): - with manual actuator with handle, - with pyrotechnic cartridge for electric activation. *Note: the valve allow installation of both of two optional activation, is possible to install both at the same time
BULB TEMPERATURE ACTIVATION	93°C
SYSTEM TEMPERATURE RANGE	-20°C/+60°C
SYSTEM PRESSURE	15 bar at 20°C
BRACKET	Wall-mounted in standard equipment, iron painted

AVAILABLE MODELS

System Code	Max covered Volume (m ³)	Cylinder Volume (L)	Nominal charge (Kg)	Max tube length (m)	Cylinder diameter (mm)	Max dimensions L x H (mm)	* Weight (Kg)
11409-015	1,5	1,25	1	2	85	120 x 350	~ 2,75
11409-035	3,5	2,50	2	3	110	130 x 400	~ 4,40
11409-051	5,1	4,30	3	4	130	145 x 455	~ 6,20
11409-070	7,0	4,30	4	4	130	145 x 455	~ 7,20
11409-100	10,0	7,30	6	5	160	180 x 500	~ 10,55
11409-150	15,0	10,70	8,8	6	170	190 x 620	~ 14,50
11409-200	20,0	12,50	11,7	8	190	210 x 600	~ 18,60

*Weight includes: pressure switch, bracket, 2 dispensing nozzles, 4 fittings

TECHNICAL SPECIFICATIONS FOR OPTIONAL PARTS



Code 1890-3 Manual actuator kit for remote activation, including:
 - stainless steel cable 6 m, plastic coated, with brass terminals.
 With special self-tapping terminals that allow to cut cable at right measure and then install into terminals;
 - cable storage box, ABS white.



Code 2164 (quantity for meters)
 Distribution tube for extinguishing agent, in aluminum with PVC external coating , 10 mm diameter.



Code 2166-1
 Pyrotechnic cartridge for remote electric activation.

File name	Type of document	Fire Extinguisher Model	Date	Rele.	Check	Rev.	Pag.
mare PW series	user manual	localized shutdown	30/11/2023	M.R		1	2/4

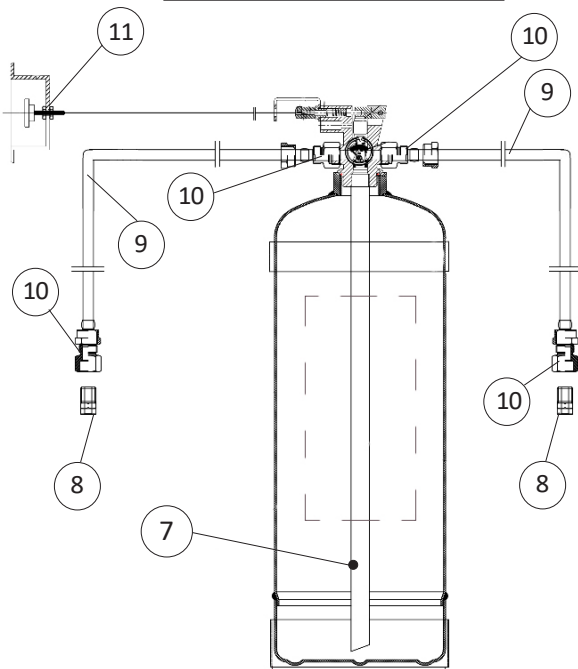
ABC POWDER LOCALIZED SHUTDOWN SYSTEMS - MARE-PW SERIES

SPARE PARTS

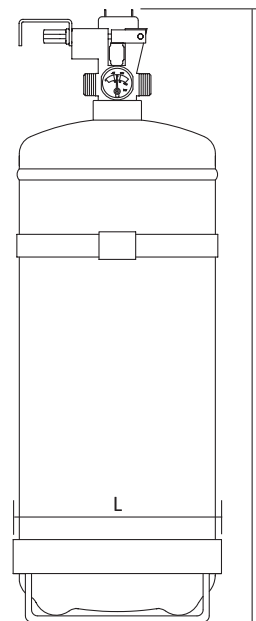


N.	DESCRIPTION	CODE	
1	M. 30x1.5 valve with thermosensible bulb for automatic activation 93°C	1906	
2	Pressure gauge 1/8 NPT	0272	
3	Cylinder	1,25 L	0101
		2,50 L	0102
		4,30 L	0103
		7,30 L	1848K
		10,70 L	0105-7
	12,50 L	0105-8	
4	Bracket	1,25 L	0326
		2,50 L	0327
		4,30 L	0315-1
		7,30 L	0316-1
		10,70 L	0318-2
	12,50 L	0317-1	
5	Label for cylinders up to 2,50 L	2064-41	
	Label for cylinders 4,30 L	2064-42	
	Label for cylinders 7,30 L and upper	2064-4	
6	Pressure switch 1/8" , set at 11 bar, with protection cap	1161	
7	PVC dip tube	1,25 L	0151
		2,50 L	0152
		4,30 L	0153
		7,30 L	1859
		10,70 L	0155-1
	12,50 L	0155-2	
8	Dispensing nozzle M 3/8"	2163-2	
9	Distribution tube for ext. agent - meters q.ty	2164	
10	Fitting for distribution tube, F 3/8" ogive	2165	
11	Manual actuator kit for remote activation	1890-3	

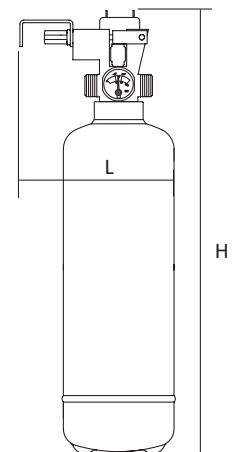
IDEAL INSTALLATION ILLUSTRATION



REFERENCE FOR CYLINDERS 7,30 L AND UPPER



REFERENCE FOR CYLINDERS 1,25 L - 2,50 L - 4,30 L



REPRODUCTION IS PROHIBITED

File name	Type of document	Fire Extinguisher Model	Date	Rele.	Check	Rev.	Pag.
mare PW series	user manual	localized shutdown	30/11/2023	M.R		0	3/4

Warnings for use

- 1) Suitable for use on electrical fires (control panels or electrical circuits).
- 2) Ventilate the room after use.
- 3) Recharge the device after each use, even if partial

Maintenance and periodic controls

Maintenance and installation operations must be carried out by personnel specialized in the use of pressure equipment and as reported in this technical manual.

During maintenance it is necessary to take all precautions to prevent fires.

Maintenance must be carried out with the frequency indicated by the country in which it is installed, in Italy it must be carried out in accordance with the "safety of navigation" circular general series no. 100/2014.

Check periodically that the pressure gauge indicator is inside the green area, if indicator is in red area contact an authorized company to carry out maintenance.

Product Warranty

Any restoration operations and instrumental checks must be carried out exclusively by competent and authorized personnel, with the documentation necessary to carry out the operations to maintain product performance.

Any tampering or intervention by unauthorized personnel will void the product warranty.

File name	Type of document	Fire Extinguisher Model	Date	Rele.	Check	Rev.	Pag.
mare PW series	user manual	localized shutdown	30/11/2023	M.R		0	4/4